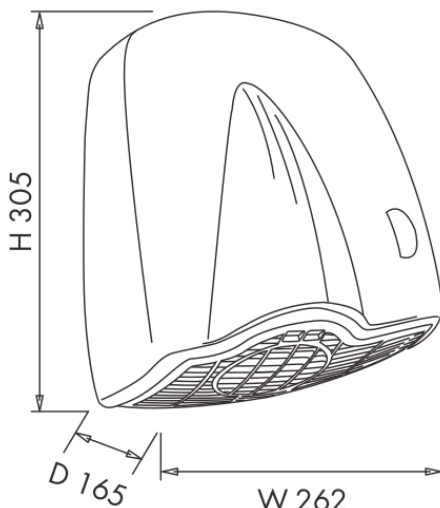


PRODUCT TECHNICAL SHEET

TECHNICAL DRAWING



PHOTO



PRODUCT FAMILY: BATHROOM ACCESSORIES FOR COMMUNITIES

CODE: MP405N

DESCRIPTION:

electric hand-dryer in white ABS with automatic control - 305 x 262 x 165 mm.

ELECTRICAL PERFORMANCES:

Resistance 1750 W.

CERTIFICATIONS:

TUV certification UNI EN ISO 9001:2008.

Conforms to Directives relating to electrical equipment 73\23\ and 93\68\ and the Cee Directives on Electromagnetic Compatibility 89\336\CEE and 92\31\EEC.

PRODUCT FEATURES:

Electric hand-dryer in white ABD with automatic control, perfect for areas with a low/medium level of traffic. Very silent, it does not require maintenance thanks to the induction motor. Timer adjustable from 30 seconds up to 3 minutes. Contemporary design.

FUNCTIONING:

Put the hands under the grid exit of the air

TECHNICAL DETAILS:

Voltage 220-240 V
 Total power 1850 W
 Frequency 50/60 Hz
 Engine power 65 W
 Electrical isolation II Class - IPX2
 RPM 2800
 Dimension 305 x 262 x 165 mm
 Weight kg 3
 Power of the heating element 1785 W
 Air flow rate 160 m³/h - 45l/sec
 Air speed 80 Km/h
 Level of noise (2 m) 60 dB

FIXING (INSTALLATION):

Fix to the wall using suitable screws .

COMPOSITION:

ABS

PACKAGE:

Carton box

Weight: 3 kg (net)