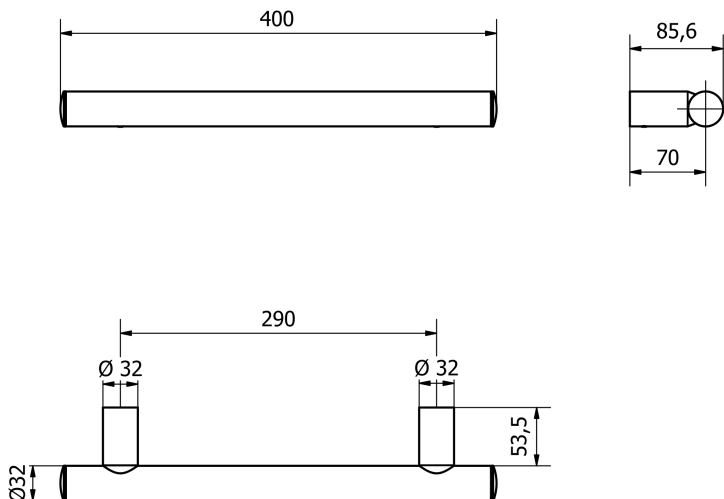
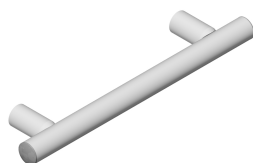


PRODUCT TECHNICAL SHEET

TECHNICAL DRAWING



PHOTO



PRODUCT FAMILY: GRAB BARS AND HAND RAILS - ELEGANCE SERIES

CODE: ELMA40BC

DESCRIPTION: Linear grab bar, lenght 40 cm. Mat white

MECHANICAL PERFORMANCES: Load capacity 150 kg.

APPROVALS/CERTIFICATIONS:

TUV system certification UNI EN ISO 9001

Declaration of conformity CE to European Medical device directive 07/47.

Reference regulations: UNI EN 12182; UNI CEI EN ISO 14971; UNI EN 1041, UNI CEI EN ISO 15225

PRODUCT FEATURES:

Grab bars made of galvanized steel with crossbars and bushing in turned aluminium. Powder coated, mat white. ABS plugs chrome - plated satin.

Diameter of the tubes 32x1,5 mm. Distance between wall and center of the tube 69.5 cm. Lenght 40 cm between the ends.

FIXING/INSTALLATION:

Wall mounted fixed with n° 2 plugs

Plugs not included in the package

Choose the correct type of plug according to the type of wall.

Hole for screw Ø max 10,5

MAINTENANCE:

Check the correct fastening periodically.

Make a proper cleaning by water and soap, do not use abrasive or corrosive agents.

PRODUCT COMPOSITION:

N° 1 Tube Ø32 x 15/10 Fe Po4 galvanized and painted RAL9016

N°2 Crossbars made of aluminium painted RAL9016

N° 2 Bushings for fixation

N° 2 Plugs in ABS chrome-plated satin.

MATERIALS:

TREATEMENTS:

TOLERANCES:

0÷300 ±3 301÷600 ±4 601÷2000 ±5

PACKAGING OF THE PRODUCT:

Single package with pluriball and carton box 110 x 40 x 540 mm.

Weight: 0,72 kg

ST_PRODOTTO: ELMA40BC	APPROVATO
REV.00 DEL 18/09/19	R.T.

THERMOMAT SANILINE SRL

Via M. Curie, 7 - 46034 Borgo Virgilio (Mantova) ITALY

Tel. + 39 0376 4473

www.thermomat.com - e-mail: info@thermomat.com

