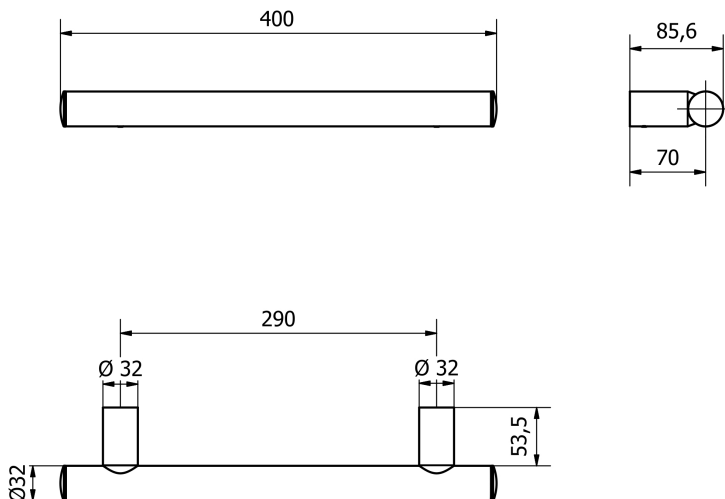
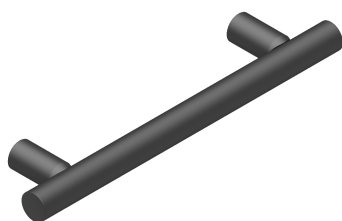


TECHNICAL DRAWING



PHOTO



**PRODUCT FAMILY:** GRAB BARS AND HAND RAILS - ELEGANCE SERIES

**CODE:** ELMA40NR

**DESCRIPTION:** Linear grab bar, lenght 40 cm. Mat white.

**MECHANICAL PERFORMANCES:** Load capacity 150 kg.

**APPROVALS/CERTIFICATIONS:**

TUV system certification UNI EN ISO 9001

EC declaration of conformity to the European Regulation for Medical Devices 745/2017.

Reference standards: UNI EN 12182

**PRODUCT FEATURES:**

Grab bars made of galvanized steel with crossbars and bushing in turned aluminium. Powder coated, mat white. ABS plugs chrome - plated satin.

Diameter of the tubes 32x1,5 mm. Distance between wall and center of the tube 69.5 cm. Lenght 40 cm between the ends.

**FIXING/INSTALLATION:**

Wall mounted fixed with n° 2 plugs

Plugs not included in the package

Choose the correct type of plug according to the type of wall.

Hole for screw Ø max 10,5

**MAINTENANCE:**

Check the correct fastening periodically.

Make a proper cleaning by water and soap, do not use abrasive or corrosive agents.

**PRODUCT COMPOSITION:**

N° 1 Tube Ø32 x 15/10 Fe Po4 galvanized and painted RAL9016

N°2 Crossbars made of aluminium painted RAL9016

N° 2 Bushings for fixation

N° 2 Plugs in ABS chrome-plated satin.

**MATERIALS:**

**TREATEMENTS:**

**TOLERANCES:**

0÷300 ±3 301÷600 ±4 601÷2000 ±5

**PACKAGING OF THE PRODUCT:**

Single package with pluriball and carton box 110 x 40 x 540 mm.

Weight: 0,72 kg

ST_PRODOTTO: ELMA40NR	- 1	APPROVATO R.T.
REV.04 del 02/03/2023		

The above mentioned information cannot be considered as binding. Thermomat Saniline S.r.l. reserves the right to make technical and aesthetic changes without any prior notice.

**Thermomat Saniline s.r.l.**

Via M. Curie, 7 - 46034 Borgo Virgilio (Mantova) ITALY

Tel. + 39 0376 4473

www.thermomat.com - info@thermomat.com



Company with Quality Management System certified according to the standard UNI EN ISO 9001:2015