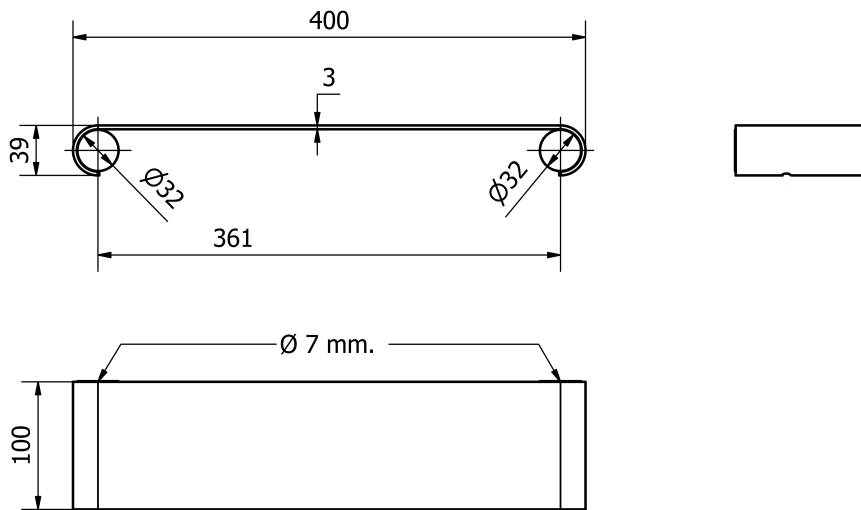
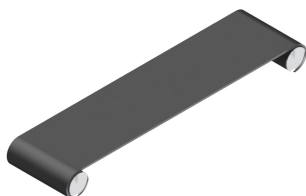


TECHNICAL DRAWING



PHOTO



PRODUCT FAMILY: ELEGANCE SERIES
CODE: ELME40NR
DESCRIPTION: Shelf L. cm 40 black

MECHANICAL PERFORMANCES:

APPROVALS/CERTIFICATIONS:
 TUV system certification UNI EN ISO 9001

PRODUCT FEATURES:

Shelf with supports made of aluminium. Thickness of the shelf mm 3. Diameter of the supports mm 32. Mat black painted. Length cm 40, maxi. overall. Depth 10 cm. Fixation directly to the wall. Diameter of the hole for the screw mm 7.

FIXING/INSTALLATION:

MAINTENANCE:

Check periodically the fixation of the accessories.
 Make a proper cleaning with water and soap. Do not use corrosive or abrasiv products.

PRODUCT COMPOSITION:

N° 1 Aluminium shelf painted RAL 9016
 N° 2 Aluminium supports painted RAL 9016
 N° 2 Plugs in chrome-plated ABS

MATERIALS:

TREATEMENTS:

TOLERANCES:

0÷300±3 301÷600±4 601÷2000±5

PACKAGING OF THE PRODUCT:

ST_PRODOTTO: ELME40NR	APPROVATO 1 R.T.
REV.00 DEL 04/10/19	

THERMOMAT SANILINE SRL

Via M. Curie, 7 - 46034 Borgo Virgilio (Mantova) ITALY
 Tel. + 39 0376 4473
 www.thermomat.com - e-mail: info@thermomat.com

