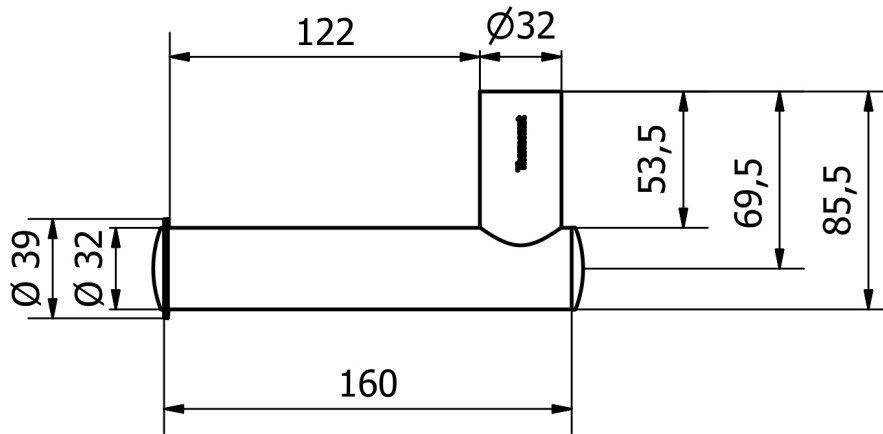


TECHNICAL DRAWING



PHOTO



PRODUCT FAMILY: ELEGANCE SERIES

CODE: ELPRTBC

DESCRIPTION: Toilet roll holder in aluminium and steel painted mat white

MECHANICAL PERFORMANCES:

APPROVALS/CERTIFICATIONS:

TUV system certification UNI EN ISO 9001

PRODUCT FEATURES:

Toilet roll holder in galvanized steel with crossbars and bushing in turned aluminium. Powder coated, mat white. ABS plugs chrome - plated satin.

Diameter of the tubes 32x1,5 mm.

FIXING/INSTALLATION:

Wall mounted fixed with n° 1 plugs
Plugs not included in the package
Choose the correct type of plug according to the type of wall.
Hole for screw Ø max 10,5

MAINTENANCE:

Check the correct fastening periodically.
Make a proper cleaning by water and soap, do not use abrasive or corrosive agents.

PRODUCT COMPOSITION:

N° 1 Tube Ø32 x 15/10 Fe Po4 galvanized and painted RAL9016
N°1 Crossbars made of aluminium painted RAL9016
N° 1 Bushings for fixation
N° 2 Plugs in ABS chrome-plated satin.

MATERIALS:

TREATEMENTS:

TOLERANCES:

0÷300 ±3 301÷600 ±4 601÷2000 ±5

PACKAGING OF THE PRODUCT:

Single packaging in carton box 110 x 40 x 340 mm.

Weight: 0,3 kg

ST_PRODOTTO: ELPRTBC - 1	APPROVATO R.T.
REV.00 DEL 18/09/19	