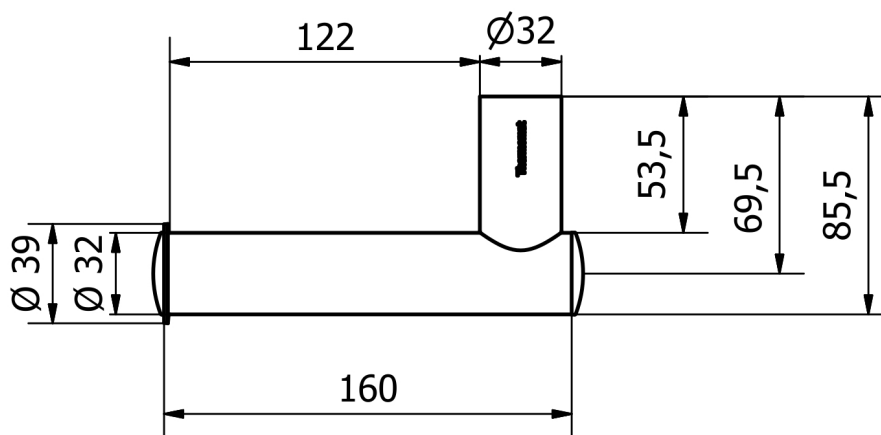


TECHNICAL DRAWING



PHOTO



PRODUCT FAMILY: ELEGANCE SERIES
CODE: ELPRTNR
DESCRIPTION: Toilet roll holder in aluminium and steel painted mat black

MECHANICAL PERFORMANCES:

APPROVALS/CERTIFICATIONS:
 TUV system certification UNI EN ISO 9001

PRODUCT FEATURES:

Toilet roll holder in galvanized steel with crossbars and bushing in turned aluminium. Powder coated, mat black. ABS plugs chrome - plated satin.
 Diameter of the tubes 32x1,5 mm.

FIXING/INSTALLATION:

Wall mounted fixed with n° 1 plugs
 Plugs not included in the package
 Choose the correct type of plug according to the type of wall.
 Hole for screw \varnothing max 10,5

MAINTENANCE:

Check the correct fastening periodically.
 Make a proper cleaning by water and soap, do not use abrasive or corrosive agents.

PRODUCT COMPOSITION:

N° 1 Tube $\varnothing 32 \times 15/10$ Fe Po4 galvanized and painted RAL9011
 N° 1 Crossbars made of aluminium painted RAL9011
 N° 1 Bushings for fixation
 N° 2 Plugs in ABS chrome-plated satin.

MATERIALS:

TREATEMENTS:

TOLERANCES:

0÷300 ± 3 301÷600 ± 4 601÷2000 ± 5

PACKAGING OF THE PRODUCT:

Single package with pluriball and carton box 110 x 40 x 340 mm.
 Weight: 0,72 kg

ST_PRODOTTO: ELPRTNR - 1	APPROVATO R.T.
REV.00 DEL 18/09/19	

THERMOMAT SANILINE SRL

Via M. Curie, 7 - 46034 Borgo Virgilio (Mantova) ITALY
 Tel. + 39 0376 4473
 www.thermomat.com - e-mail: info@thermomat.com

