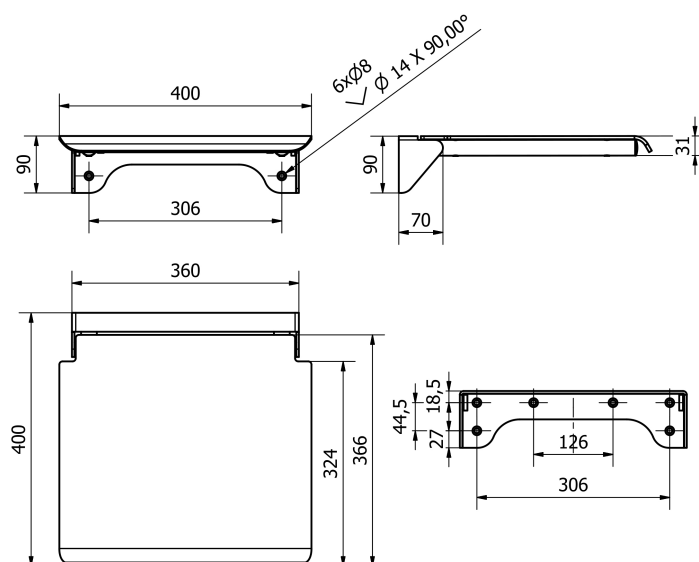
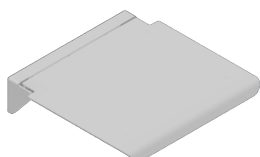


PRODUCT TECHNICAL SHEET

TECHNICAL DRAWING



PHOTO



PRODUCT FAMILY: SEATS FOR SHOWER AND BATHTUB ELEGANCE SERIES
CODE: ELSDBC
DESCRIPTION: Folding shower seat wall mounted made of stainless steel and aluminium

MECHANICAL PERFORMANCES:

Load capacity 150 kg

APPROVALS/CERTIFICATIONS:

TUV system certification UNI EN ISO 9001

EC declaration of conformity to the European Regulation for Medical Devices 745/2017.

Reference standards: UNI EN 12182

PRODUCT FEATURES:

Seat with support and frame made of stainless steel and aluminium seat. Powder coated, mat white. Caps in ABS satin chrome color. Wall bracket in stainless steel bended and welded, diameter of the tube of the frame 25x1,5 e 14x 1,5 mm. Seat made of aluminium sheet thickness 3 mm

FIXING/INSTALLATION:

MAINTENANCE:

Check periodically the correct fixation of the accessories. Make a proper cleaning with water and soap, do not use abrasive or corrosive products.

PRODUCT COMPOSITION:

MATERIALS:

TREATEMENTS:

TOLERANCES:

N° 1 Tray in aluminium painted RAL9016 N°N° 1 Support in stainless steel painted RAL9016N° 2 Caps in ABS in 601=600±4 601=2000±5
601=2001±500

PACKAGING OF THE PRODUCT:

Single package in a single carton box and pluriball 445 x 120 x 530 mm..
Weight: 4,6 kg

| | | |
|-----------------------|-----|-----------|
| ST_PRODOTTO: ELSDBC | - 1 | APPROVATO |
| | | R.T. |
| REV.04 DEL 02/03/2023 | | |