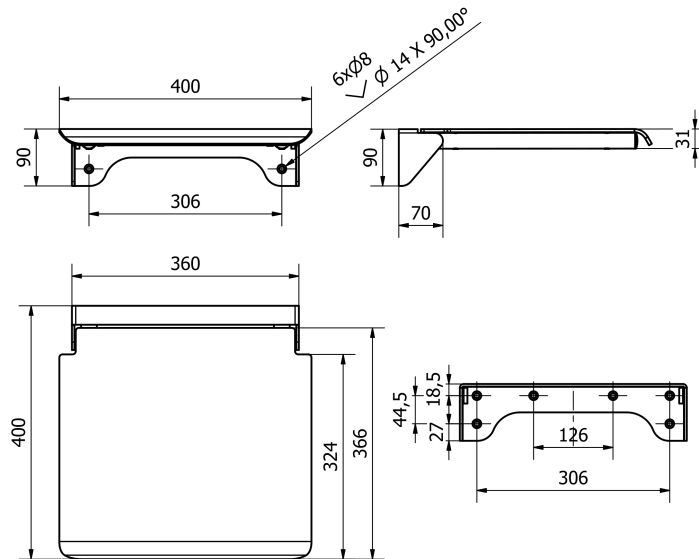
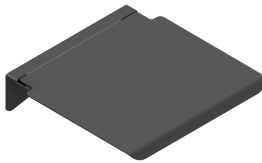


PRODUCT TECHNICAL SHEET

TECHNICAL DRAWING



PHOTO



PRODUCT FAMILY: SEATS FOR SHOWER AND BATHTUB ELEGANCE SERIES
CODE: ELSDNR
DESCRIPTION: Folding shower seat wall mounted made of stainless steel and aluminium

MECHANICAL PERFORMANCES:
 Load capacity 150 kg

APPROVALS/CERTIFICATIONS:
 TUV system certification UNI EN ISO 9001
 Declaration of conformity CE to the European Regulation for Medical Devices 07/47.
 Reference rules: UNI EN 12182; UNI CEI EN ISO 14971; UNI EN 1041, UNI CEI EN ISO 15225.

PRODUCT FEATURES:

Seat with support and frame made of stainless steel and aluminium seat. Powder coated, mat black. Caps in ABS satin chrome color. Wall bracket in stainless steel bended and welded, diameter of the tube of the frame 25x1,5 e 14x 1,5 mm. Seat made of aluminium sheet thickness 3 mm

FIXING/INSTALLATION:

Wall fixation with n°6 rawplugs

Rawplugs not included in the package

Choose the correct fixation considering the type of wall

Dimension holes for screw for wall fixation: Ø 8 mm

MAINTENANCE:

Check periodically the correct fixation of the accessories. Make a proper cleaning with water and soap, do not use abrasive or corrosive products.

PRODUCT COMPOSITION:

N° 1 Tray in aluminium painted RAL9011
 N° 1 Support in painted stainless steel RAL9011
 N° 2 Caps ABS Chrome satin.

MATERIALS:

TREATEMENTS:

TOLERANCES:

0÷300±3 301÷600±4 601÷2000±5

PACKAGING OF THE PRODUCT:

Single package with pluriball and carton box 445 x 120 x 530 mm..

Weight: 4,6 kg

ST_PRODOTTO: ELSDNR	- 1	APPROVATO R.T.
REV.00 DEL 04/10/19		

THERMOMAT SANILINE SRL

Via M. Curie, 7 - 46034 Borgo Virgilio (Mantova) ITALY

Tel. + 39 0376 4473

www.thermomat.com - e-mail: info@thermomat.com

