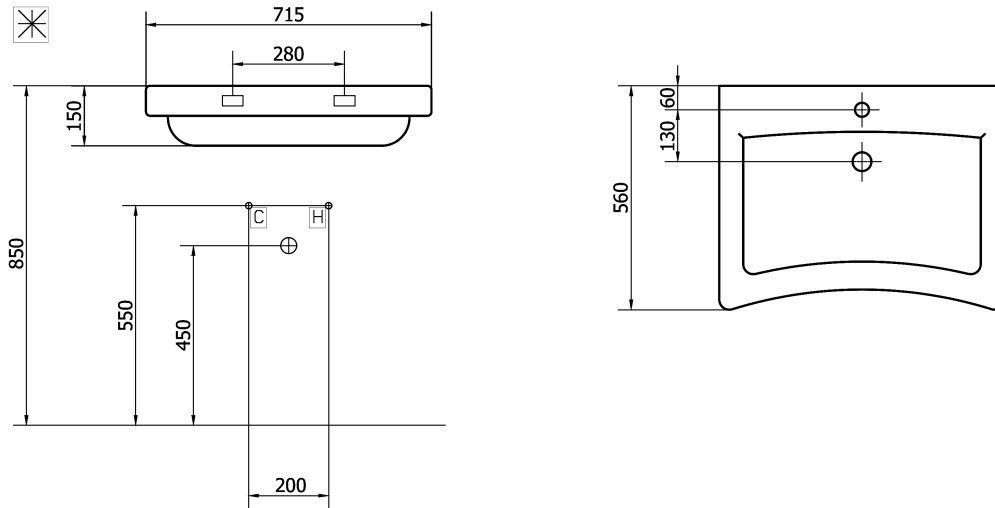


TECHNICAL DRAWING



PHOTO



PRODUCT FAMILY: SANITARYWARE
CODE: 426TH
DESCRIPTION: Washbasin. "Style 47" series.

MECHANICAL PERFORMANCES:
 Compliant with UNI EN ISO 14688

APPROVALS/CERTIFICATIONS:
 TUV system certification UNI EN ISO 9001
 Declaration of Conformity according to European Directive 305/2011 for construction products.
 Reference regulations: UNI EN ISO 14688

PRODUCT FEATURES:

Ergonomic ceramic washbasin. Its large dimension and the edges that can be used as elbow rests lend this article elegance and comfort. The front edge is concave to facilitate wheelchair users. Wall mounting through fixing holes. For installation in compliance with disabled rules, follow the dimension and what is required in the regulation.

FIXING/INSTALLATION:

Wall mount through fixing holes.
 Choose the plugs according to the type of wall.

MAINTENANCE:

Check the correct fastening of the washbasin periodically.
 Clean with water and soap or other suitable products, do not use abrasive or corrosive agents. Dry with a soft cloth.

PRODUCT COMPOSITION:

Washbasin - Vitreous China - Enameled

TOLERANCES:

GENERAL TOLERANCES
 ±5% on all dimensions

PACKAGING OF THE PRODUCT:

Packed in cardboard box 710 x 220 x 615 mm. Packed on pallet in cas of purchase of multiple units.
 Weight: 18 kg

ST_PRODOTTO: 426TH - 1	APPROVATO R.T.
REV.01 DEL 22/03/2021	

