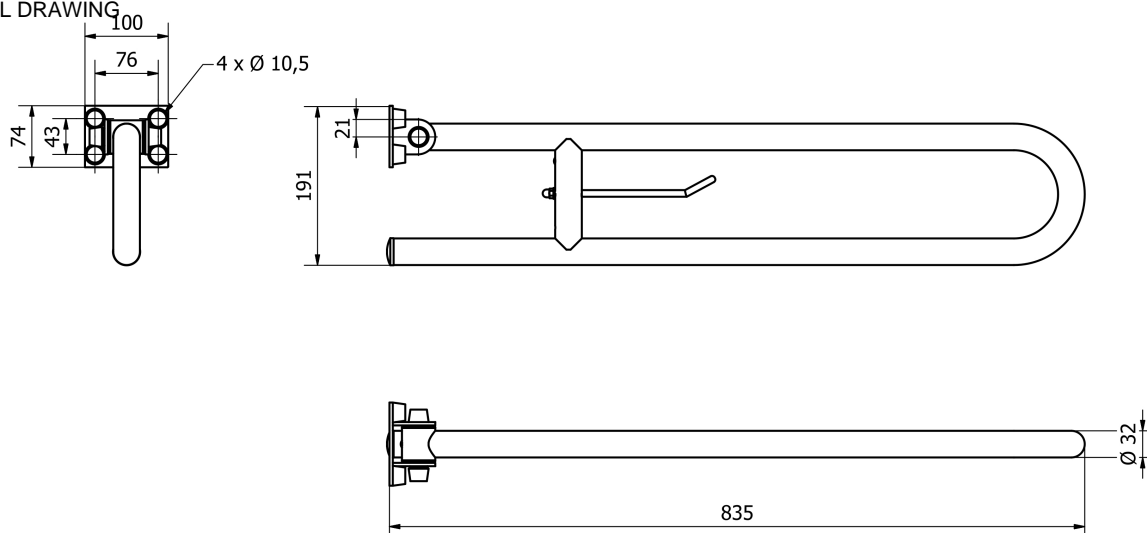


TECHNICAL DRAWING



PHOTO



**PRODUCT FAMILY:** HANDBARS AND HANDRAILS – PAINTED SERIES

**CODE:** 840-E

**DESCRIPTION:** Hinged folding support rail, 830 mm, with toilet roll holder and blocking device in upright position. Electrical insulation. White colour.

**MECHANICAL PERFORMANCES:**

Load capacity 150 kg.

**APPROVALS/CERTIFICATIONS:**

TUV system certification UNI EN ISO 9001

Declaration of Conformity according to European Medical Device Directive 47/07

**PRODUCT FEATURES:**

Ø 32 cold bent body, complete with mounting plate and toilet roll holder.  
Plate with reduced dimension

**FIXING/INSTALLATION:**

Wall mounting by 9 plugs.

Plugs are not included in the package.

Read the instruction sheet to choose the suitable plugs according to the type of wall.

**MAINTENANCE:**

Check the correct fastening of the accessories periodically.

Perform a proper cleaning with water and soap, do not use abrasive or corrosive agents or coarse sponges.

**PRODUCT COMPOSITION:**

N° 1 Pipe Ø32 x 15/10 Fe P04 - DC04 - Zinc-coated and painted RAL9016

N° 1 Mounting plate - DC04 - Zinc-coated and painted

N° 1 Rotation screw - Stainless steel

N° 6 Nut covers - Nylon PA6 - RAL9016

N° 6 Washers for nut covers - Nylon PA6 - RAL9016

N° 1 Mechanical locking device - Nylon PA6 - RAL9016

N° 1 Toilet roll holder with mounting nut - AISI 304 Polished

**TOLERANCES:**

GENERAL TOLERANCES - LENGTH (mm)

0÷300 ±3 301÷600 ±4 601÷2000 ±5

**PACKAGING OF THE PRODUCT:**

Individually wrapped in bubble wrap and packed in cardboard box 885 x 210 x 120 mm.

Weight: 4 kg

|                     |     |           |
|---------------------|-----|-----------|
| ST_PRODOTTO:840-E   | - 1 | APPROVATO |
|                     |     | R.T.      |
| REV.03 DEL 19/12/19 |     |           |

**THERMOMAT SANILINE SRL**

Via M. Curie, 7 - 46034 Borgo Virgilio (Mantova) ITALY

Tel. + 39 0376 4473

www.thermomat.com - e-mail: info@thermomat.com

