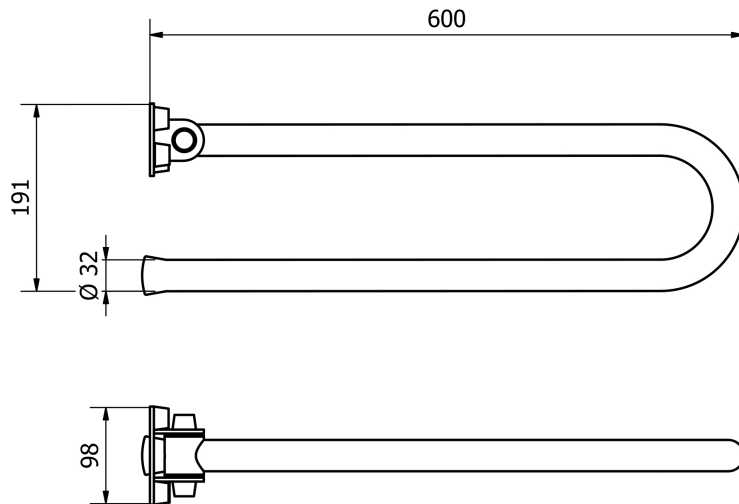
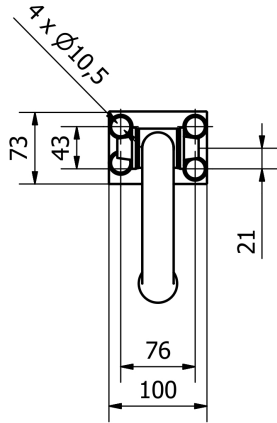


TECHNICAL DRAWING



PHOTO



**PRODUCT FAMILY:** GRAB BARS AND RAILS - BASIC SERIES

**CODE:** 603-E

**DESCRIPTION:** Folding grab bar, mm 600, with blocking system in vertical position. White

**MECHANICAL PERFORMANCES:** Load capacity 120 kg.

**APPROVALS/CERTIFICATIONS:**

TUV system certification UNI EN ISO 9001

Declaration of conformity CE according to European regulation for Medical Device 47/04

**PRODUCT FEATURES:**

Body Ø 32 cold folded, complete with plate for wall fixation and mechanical wall stop to ensure it in the vertical position.  
Mounting plate with reduced dimension

**FIXING/INSTALLATION:**

Wall fixation by n°4 plugs  
Plugs not included in the package  
Check the package leaflet in order to choose appropriate fixings considering the type of wall.

N°1 Tube Ø32 x 15/10 - DC04 - Galvanized and painted RAL 9016

N° 1 Fixing plate - Galvanized and painted

N° 1 Rotation screw - Steel

N° 6 Nut cover - Nylon PA6 - RAL 9016

N° 6 Washers for nut cover - Nylon PA6 RAL 9016

N° 1 Mechanical stopper - Nylon PA6 RAL9016

**MAINTENANCE:**

Check periodically the fastening of accessories.  
Make a proper cleaning with water and soap, do not use abrasive or corrosive products.

**TOLERANCES:**

0÷300 ±3      301÷600 ±4      601÷2000 ±5

**PACKAGING OF THE PRODUCT:**

Single package with pluriball and carton box 650 x 241 x 110 mm.  
Weight: 2,4 kg

The above mentioned information cannot be considered as binding. Thermomat Saniline Srl reserves the right to make technical and aesthetic changes without any prior notice.

ST\_PRODOTTO: 603-E - 1

APPROVATO

R.T.

REV.01 DEL 19/12/19

**THERMOMAT SANILINE SRL**

Via M. Curie, 7 - 46034 Borgo Virgilio (Mantova) ITALY

Tel. + 39 0376 4473

www.thermomat.com - e-mail: info@thermomat.com

