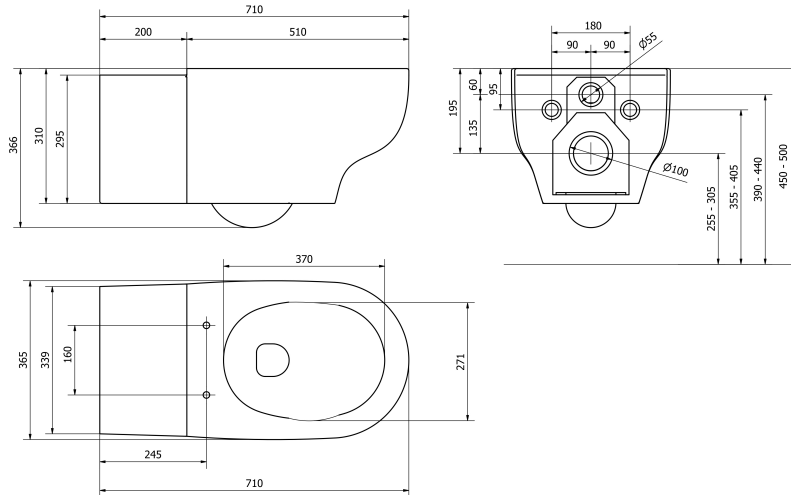


## PRODUCT TECHNICAL SHEET

### TECHNICAL DRAWING



### PHOTO



**PRODUCT FAMILY:** SANITARYWARE

**CODE:** 465

**DESCRIPTION:** Close coupled wall hung toilet with elongated bowl

#### PERFORMANCES:

It complies with regulation EN 997. Flush volume 4 lt.

#### CERTIFICATIONS:

TUV system certification UNI EN ISO 9001

Declaration of Conformity according to European Directive 305/2011/CEE for construction products

Reference regulations: EN 997

#### PRODUCT FEATURES:

Depth: 710 mm. Wall fixation with brackets.

For the installation it is necessary the fixing unit code FISWCSOSP, that you can buy separately.

Without open on the front. Seat cover not included - code 447TH

#### FIXING (INSTALLATION):

Use its proper brackets for wall fixation.

In order to facilitate the used by disabled people we suggest to keep an height at

45-50 cm from the floor level and to follow in any case regulations of your Country.

Installation is possible only on threaded bars M12 with the kit of low fixation code

FISWCSOSP (not included).

#### PRODUCT COMPOSITION:

N° 1 toilet - Vitreous China - Enameled

#### MAINTENANCE:

Check the correct fastening of the toilet periodically.

Clean with water and soap or other suitable products, do not use abrasive or

corrosive agents. Dry with a soft cloth.

#### TOLERANCE:

GENERAL TOLERANCES

±5% on all dimensions

#### PRODUCT PACKAGING:

Packed in cardboard box 640 x 450 x 915 mm. Packed on pallet in case of purchase

of multiple units.

Weight: 35 kg

The above mentioned information cannot be considered as binding.

reserves the right to make technical and aesthetic changes without any prior notice.

ST\_PRODOTTO: 465

APPROVATO  
- 1  
R.T.

REV.01 DEL 15/12/2020

ISO 9001 Quality Management System certified by TÜV Italia Srl since 2005

Via M. Curie, 7 - 46034 Borgo Virgilio (Mantova) ITALY

Tel. + 39 0376 4473

www.thermomat.com - info@thermomat.com