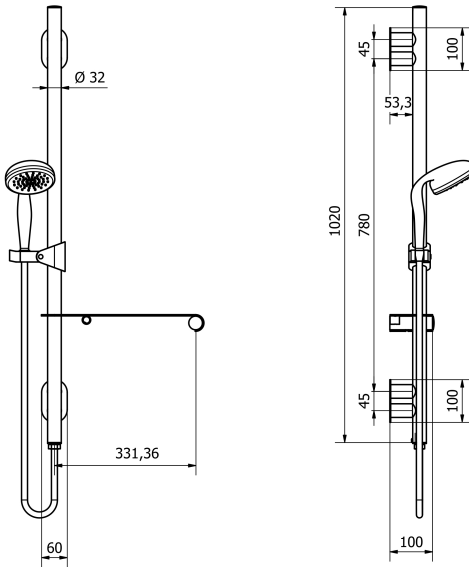


PRODUCT TECHNICAL SHEET

TECHNICAL DRAWING



PHOTO



PRODUCT FAMILY: SHOWER COLUMN - ELEGANCE SERIES

CODE: ELSHDMDXN

DESCRIPTION: Safety shower column with hand shower: right shelf. Black finishes.

MECHANICAL PERFORMANCES:

Load capacity at vertical traction 200 kg.

Maximum flow rate: 3 bar: 10 l/min

Connection to water plug high or low.

APPROVALS/CERTIFICATIONS:

TUV system certification UNI EN ISO 9001

PRODUCT FEATURES:

Safety shower column mat black finish with: hand shower in ABS mat black (3 jets), flexible mat black and shelf in painted aluminium right position. The product is made of a column diameter 32 mm made of painted stainless steel AISI304, able to resist to a traction resistance of 200 kg. Inside the column there is a system of tubes and connections in order to conduct the water to the hand shower, in order to allow the use of water inlet 1 / 2 " G pre-existing into the wall. Taps not included in the product. It is necessary to have a mixer able to adjust the temperature and water supply.

FIXING/INSTALLATION:

Column wall mounted with n° 2/3 fasteners

Fixation of the shelf with 2 fasteners

Connect inlet connection to the wall water intake.

Fasteners and screws not included in the package.

Choose a proper fastener, considering the type of wall on which you are going to

install the column,

Dimension of holes for fixing screws on the wall: \varnothing 10,5 mm

Connection for water intake 1/2"

MAINTENANCE:

Check periodically the correct fixation of the accessories.

Make a proper cleaning with water and soap, do not use abrasive or corrosive products. Do not use for purposes that are different from intended purposes. Clean regularly the thermostatic cartridge

PRODUCT COMPOSITION:

N° 1 Shower column made of stainless steel

aisi 304 - Aluminium - Brass - painted

N° 1 Hand shower made of white ABD N° 1

Flexible and components like tubes and connections

MATERIALS:

TREATEMENTS:

TOLERANCES:

PACKAGING OF THE PRODUCT:

Single package with pluriball in single carton 1500 x 110 x 120 mm.

Weight: 2,5 kg

The above mentioned information cannot be considered as binding. Thermomat Saniline Srl reserves the right to make technical and aesthetic changes without any prior notice.

ST_PRODOTTO: ELSHDMDXN - 1

APPROVATO

R.T.

REV.00 DEL 24/01/2020

THERMOMAT SANILINE SRL

Via M. Curie, 7 - 46034 Borgo Virgilio (Mantova) ITALY

Tel. + 39 0376 4473

www.thermomat.com - e-mail: info@thermomat.com

