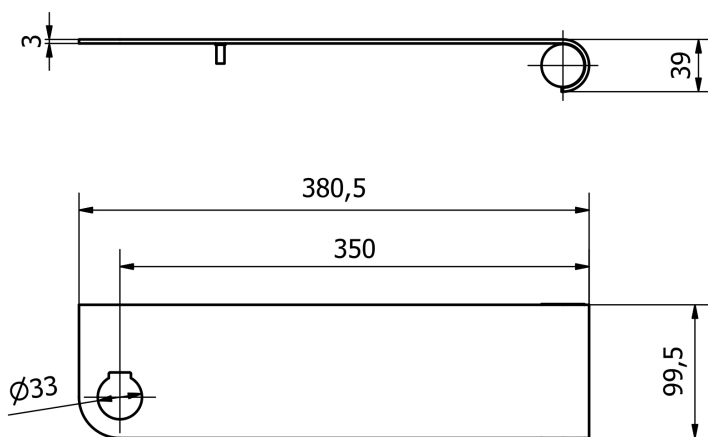
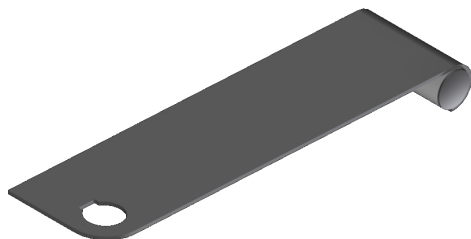


TECHNICAL DRAWING



PHOTO



PRODUCT FAMILY: ELEGANCE SERIES
CODE: ELME25BC
DESCRIPTION: Shelf L. cm 25 white

MECHANICAL PERFORMANCES:
 Load capacity 5 kg

APPROVALS/CERTIFICATIONS:
 TUV system certification UNI EN ISO 9001

PRODUCT FEATURES:

Shelf with supports made of aluminium. Thickness of the shelf mm 3. Diameter of the supports mm 32. Mat white painted. Length cm 25, maxi. overall. Depth 10 cm. Fixation directly to the wall. Diameter of the hole for the screw mm 7.

FIXING/INSTALLATION:

MAINTENANCE:

Check periodically the fixation of the accessories.
 Make a proper cleaning with water and soap. Do not use corrosive or abrasiv products.

PRODUCT COMPOSITION:

MATERIALS:

TREATEMENTS:

N° 1 Aluminium shelf painted RAL 9016
 N° 2 Aluminium supports painted RAL 9016
 N° 2 Plugs in chrome-plated ABS

TOLERANCES:

0÷300±3 301÷600±4 601÷2000±5

PACKAGING OF THE PRODUCT:

ST_PRODOTTO: ELMEDXNR	APPROVATO - 1 R.T.
REV.00 DEL 27/01/2020	

