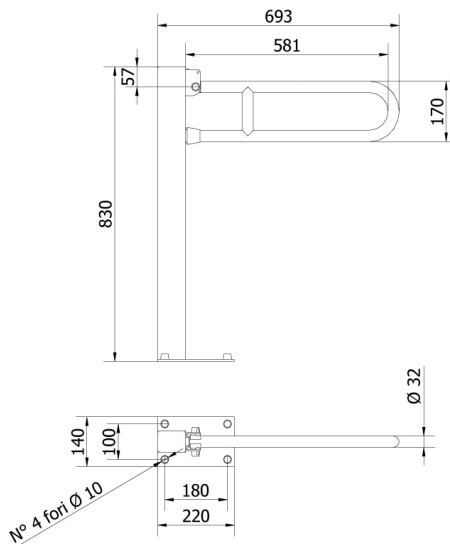


PRODUCT TECHNICAL SHEET

TECHNICAL DRAWING



PHOTO



PRODUCT FAMILY: HANDBARS AND HANDRAILS – PAINTED SERIES

CODE: 650

DESCRIPTION: Hinged folding support rail, 600 mm, with blocking device in upright position, mounted on a post fixed on the floor. White colour.

MECHANICAL PERFORMANCES:

Maximum load 150 kg.

APPROVALS/CERTIFICATIONS:

TUV system certification UNI EN ISO 9001:2008.

Declaration of Conformity according to European Medical Device Directive 93/42.

Reference regulations: Pr EN 1874; UNI EN 12182; UNI CEI EN ISO 14971; UNI EN 1041.

PRODUCT FEATURES:

60x80 steel section post welded on a floor mounting plate. Ø 32 cold bent body.

FIXING/INSTALLATION:

Floor mounting by n° 4 plugs.

Plugs are not included in the package.

Read the instruction sheet to choose the suitable plugs according to the type of wall.

MAINTENANCE:

Check the correct fastening of the accessories periodically.

Perform a proper cleaning with water and soap, do not use abrasive or corrosive agents or coarse sponges.

PRODUCT COMPOSITION:

N° 1 Pipe Ø32 x 15/10 Fe P04 - DC04 - Zinc-coated and painted RAL9016

N° 1 Post with mounting plate - Nylon PA6 - RAL9016

N° 1 Mounting plate - DC04 - Zinc-coated and painted RAL9016

N° 1 Threaded bolt

N° 2 Mechanical locking devices - PVC RAL9016

N° 6 Nut covers - Nylon PA6 - RAL9016

N° 6 Washers for nut covers- Nylon PA6 - RAL9016

N° 1 End cap - PVC RAL9016

TOLERANCES:

0÷300 ±3 301÷600 ±4 601÷2000 ±5

PACKAGING OF THE PRODUCT:

Individually wrapped in bubble wrap and packed in cardboard box 240 x 180 x 880

mm.

Weight: 7,5 kg

The above mentioned information cannot be considered as binding. Thermomat Saniline Srl reserves the right to make technical and aesthetic changes without any prior notice.

ST_PRODOTTO: 650 - 1	APPROVATO R.T.
REV.00 DEL 25/09/09	

THERMOMAT SANILINE SRL
Via M. Curie, 7 - 46034 Borgo Virgilio (Mantova) ITALY
Tel. + 39 0376 4473
www.thermomat.com - e-mail: info@thermomat.com

