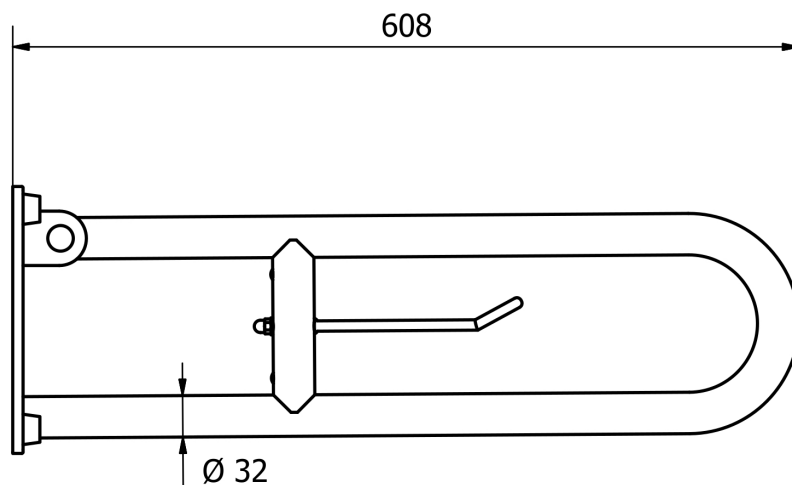
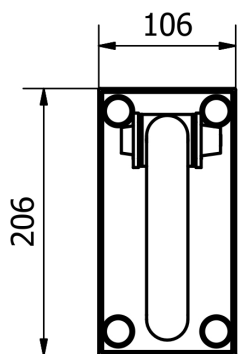
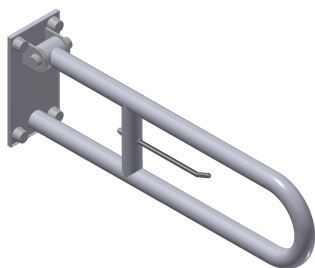


TECHNICAL DRAWING



PHOTO



**PRODUCT FAMILY:** HANDBARS AND HANDRAILS – PAINTED SERIES  
**CODE:** 640AB-I-B  
**DESCRIPTION:** Hinged folding support rail, 600 mm, with toilet roll holder and blocking device in upright position. Antibacterial paint. Electrical insulation. White colour.

**MECHANICAL PERFORMANCES:**  
 Maximum load 150 kg.

**APPROVALS/CERTIFICATIONS:**  
 TUV system certification UNI EN ISO 9001  
 EC declaration of conformity to the European Regulation for Medical Devices 745/2017.  
 Reference standards: UNI EN 12182

**PRODUCT FEATURES:**

Ø 32 cold bent body, complete with mounting plate and toilet roll holder.  
 Painted with epossipoliester powder with additives with antimicrobial properties.  
 The mounting plate electrically insulates the product.

**FIXING/INSTALLATION:**

Wall mounting by 4 plugs.  
 Plugs are not included in the package.  
 Read the instruction sheet to choose the suitable plugs according to the type of wall.

**PRODUCT COMPOSITION:**

- N° 1 Pipe Ø32 x 15/10 Fe P04 - DC04 - Zinc-coated and painted RAL9016
- N° 1 Insulating plate - Nylon PA6 - RAL9016
- N° 1 Mounting plate - DC04 - Zinc-coated and painted
- N° 1 Rotation screw - Stainless steel
- N° 6 Nut covers - Nylon PA6 - RAL9016
- N° 6 Washers for nut covers- Nylon PA6 - RAL9016
- N° 1 Mechanical locking device - Nylon PA6 - RAL9016
- N° 1 Toilet roll holder with mounting nut - AISI 304 Polished

**MAINTENANCE:**

Check the correct fastening of the accessories periodically.  
 Perform a proper cleaning with water and soap, do not use abrasive or corrosive agents or coarse sponges.

**TOLERANCES:**

GENERAL TOLERANCES - LENGTH (mm)  
 0÷300 ±3 301÷600 ±4 601÷2000 ±5

**PACKAGING OF THE PRODUCT:**

Individually wrapped in bubble wrap and packed in cardboard box 650 x 241 x 110 mm.  
 Weight: 2,5 kg

The above mentioned information cannot be considered as binding. Thermomat Saniline S.r.l. reserves the right to make technical and aesthetic changes without any prior notice.

ST_PRODOTTO: 640AB-I-B - 1	APPROVATO R.T.
REV.03 del 10/02/2022	