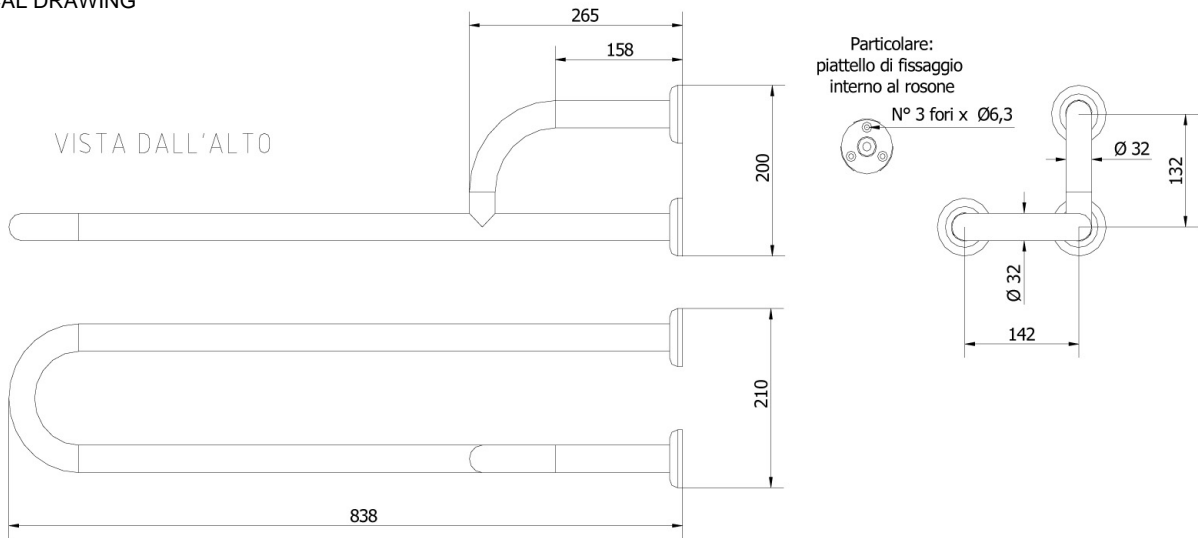
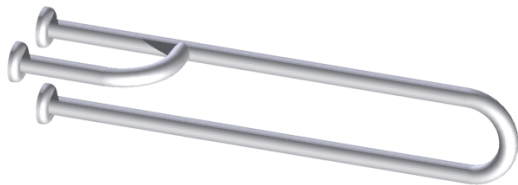


TECHNICAL DRAWING



PHOTO



**PRODUCT FAMILY:** HANDBARS AND HANDRAILS – PAINTED SERIES

**CODE:** 832-I-B

**DESCRIPTION:** Wall mounted grab bar, 830 mm, with left-hand side outrigger. Electrical insulation. White colour.

**MECHANICAL PERFORMANCES:**

Maximum load 150 kg.

**APPROVALS/CERTIFICATIONS:**

TUV system certification UNI EN ISO 9001:2008.

Declaration of Conformity according to European Medical Device Directive 93/42.

Reference regulations: Pr EN 1874; UNI EN 12182; UNI CEI EN ISO 14971; UNI EN 1041.

**PRODUCT FEATURES:**

Ø 32 cold bent body, complete with mounting flanges and flange covers. The outrigger is brazed to the structure. The mounting flanges electrically insulate the product.

**FIXING/INSTALLATION:**

Mounting by n° 9 plugs.

Plugs are not included in the package.

Read the instruction sheet to choose the suitable plugs according to the type of wall.

**MAINTENANCE:**

Check the correct fastening of the accessories periodically.

Perform a proper cleaning with water and soap, do not use abrasive or corrosive agents or coarse sponges.

**PRODUCT COMPOSITION:**

N° 2 Pipes Ø32 x 15/10 - DC04 - Zinc-coated, brazed and painted RAL9016

N° 3 Mounting flanges Nylon PA6 RAL9016

N° 3 FLange covers Nylon PA6 RAL9016

N° 3 Fixing bushings Brass UNI EN 12164 CW614N

N° 3 Flange fixing screws Steel Tropicalized

**TOLERANCES:**

0÷300 ±3 301÷600 ±4 601÷2000 ±5

**PACKAGING OF THE PRODUCT:**

Wrapped in bubble wrap.

Weight: 3 kg

ST_PRODOTTO:832-I-B - 1	APPROVATO R.T.
REV.00 DEL 25/09/09	

