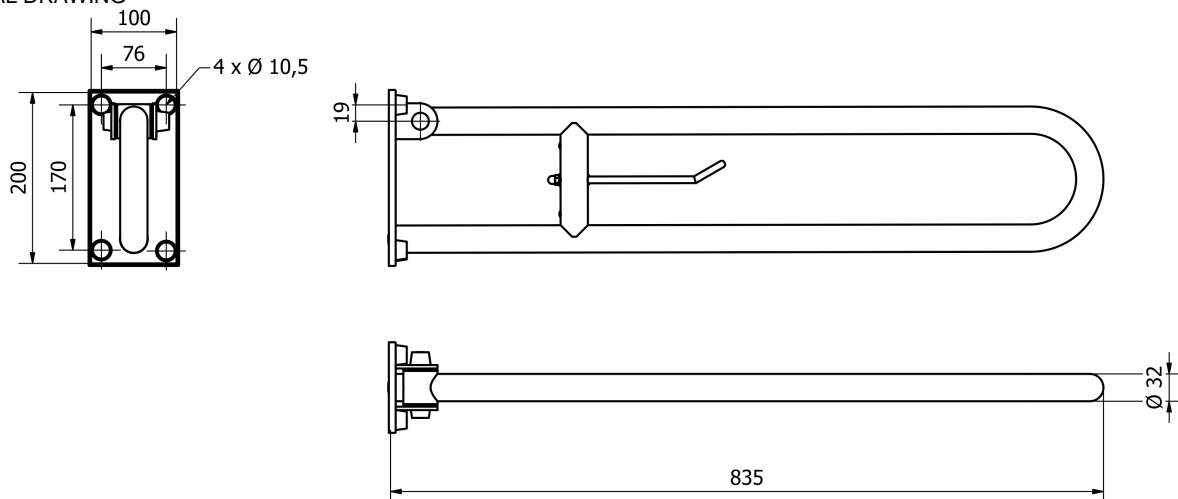
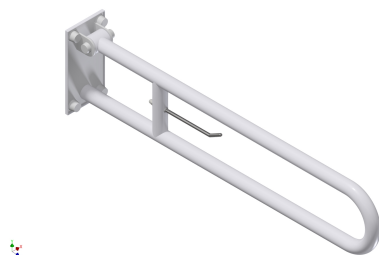


TECHNICAL DRAWING



PHOTO



PRODUCT FAMILY: HANDBARS AND HANDRAILS – PAINTED SERIES

CODE: 840-I-B

DESCRIPTION: Hinged folding support rail, 830 mm, with toilet roll holder and blocking device in upright position. Electrical insulation. White colour.

MECHANICAL PERFORMANCES:

Maximum load 150 kg.

APPROVALS/CERTIFICATIONS:

TUV system certification UNI EN ISO 9001:2008.

Declaration of Conformity according to European Medical Device Directive 93/42.

Reference regulations: Pr EN 1874; UNI EN 12182; UNI CEI EN ISO 14971; UNI EN 1041.

PRODUCT FEATURES:

Ø 32 cold bent body, complete with mounting plate and toilet roll holder. The mounting plate electrically insulates the product.

FIXING/INSTALLATION:

Wall mounting by 9 plugs.

Plugs are not included in the package.

Read the instruction sheet to choose the suitable plugs according to the type of wall.

PRODUCT COMPOSITION:

N° 1 Pipe Ø32 x 15/10 Fe P04 - DC04 - Zinc-coated and painted RAL9016

N° 1 Insulating plate - Nylon PA6 - RAL9016

N° 1 Mounting plate - DC04 - Zinc-coated and painted

N° 1 Rotation screw - Stainless steel

N° 6 Nut covers - Nylon PA6 - RAL9016

N° 6 Washers for nut covers - Nylon PA6 - RAL9016

N° 1 Mechanical locking device - Nylon PA6 - RAL9016

N° 1 Toilet roll holder with mounting nut - AISI 304 Polished

MAINTENANCE:

Check the correct fastening of the accessories periodically.

Perform a proper cleaning with water and soap, do not use abrasive or corrosive agents or coarse sponges.

TOLERANCES:

GENERAL TOLERANCES - LENGTH (mm)

0÷300 ±3 301÷600 ±4 601÷2000 ±5

PACKAGING OF THE PRODUCT:

Individually wrapped in bubble wrap and packed in cardboard box 885 x 210 x 120

mm.

Weight: 4 kg

ST_PRODOTTO:840-I	- 1	APPROVATO
REV.03 DEL 19/12/19		R.T.

