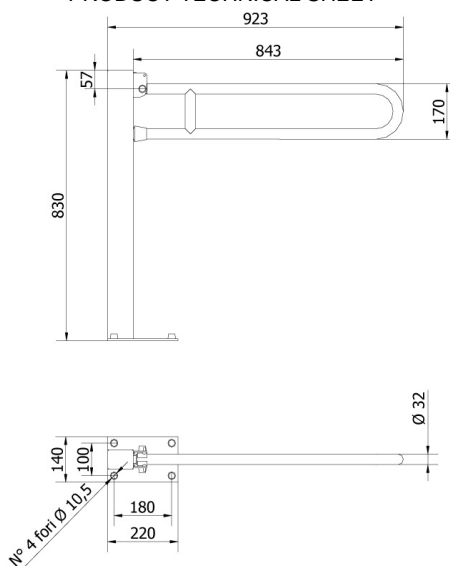


## PRODUCT TECHNICAL SHEET

### TECHNICAL DRAWING



### PHOTO



**PRODUCT FAMILY:** HANDBARS AND HANDRAILS – PAINTED SERIES

**CODE:** 850-B

**DESCRIPTION:** Hinged folding support rail, 830 mm, with blocking device in upright position, mounted on a post fixed on the floor. White colour.

#### MECHANICAL PERFORMANCES:

Maximum load 150 kg.

#### APPROVALS/CERTIFICATIONS:

TUV system certification UNI EN ISO 9001

EC declaration of conformity to the European Regulation for Medical Devices 745/2017.

Reference standards: UNI EN 12182

### PRODUCT FEATURES:

60x80 steel section post welded on a floor mounting plate. Ø 32 cold bent body.

#### FIXING/INSTALLATION:

Floor mounting by n° 4 plugs.

Plugs are not included in the package.

Read the instruction sheet to choose the suitable plugs according to the type of wall.

#### PRODUCT COMPOSITION:

N° 1 Pipe Ø32 x 15/10 Fe P04 - DC04 - Zinc-coated and painted RAL9016

N° 1 Post with mounting plate - Nylon PA6 - RAL9016

N° 1 Mounting plate - DC04 - Zinc-coated and painted RAL9016

N° 1 Threaded bolt

N° 2 Mechanical locking devices - PVC RAL9016

N° 6 Nut covers - Nylon PA6 - RAL9016

N° 6 Washers for nut covers - Nylon PA6 - RAL9016

N° 1 End cap - PVC RAL9016

#### MAINTENANCE:

Check the correct fastening of the accessories periodically.

Perform a proper cleaning with water and soap, do not use abrasive or corrosive agents or coarse sponges.

#### TOLERANCES:

0÷300 ±3 301÷600 ±4 601÷2000 ±5

#### PACKAGING OF THE PRODUCT:

Individually wrapped in bubble wrap and packed in cardboard box 240 x 180 x 880

mm.

Weight: 8 kg

ST_PRODOTTO:850-B - 1	APPROVATO R.T.
REV.03 del 10/02/2022	

The above mentioned information cannot be considered as binding. Thermomat Saniline S.r.l. reserves the right to make technical and aesthetic changes without any prior notice.

**Thermomat Saniline s.r.l.**

Via M. Curie, 7 - 46034 Borgo Virgilio (Mantova) ITALY

Tel. + 39 0376 4473

www.thermomat.com - info@thermomat.com



Company with Quality Management System certified according to the standard UNI EN ISO 9001:2015