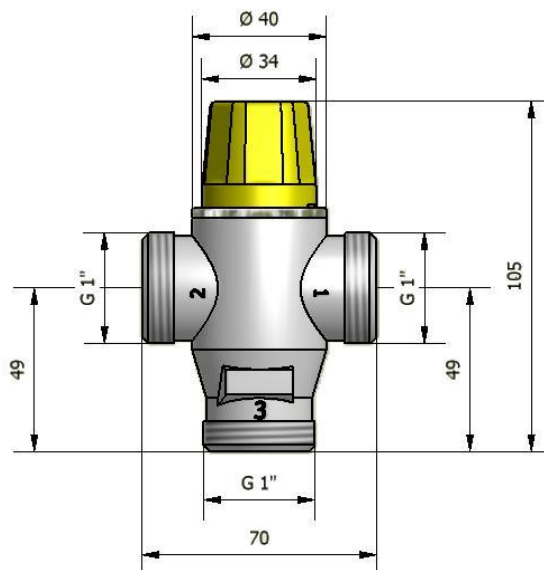


PRODUCT TECHNICAL SHEET

TECHNICAL DRAWING



PHOTO



PRODUCT FAMILY: THERMOSTATIC DIVERTER VALVES – MIX SOLAR SERIES
CODE: TVDT100M35SUN
DESCRIPTION: Thermostatic diverter valve 1" for solar panels. Setting at 35° C

HYDRAULIC PERFORMANCES:
 Flow rate higher than 40l/min at 3 bar

CERTIFICATIONS:
 TUV certification UNI EN ISO 9001
 Designed according to the main points of the UNI EN 1111.

PRODUCT FEATURES:

The diverter valve finds its application in the solar thermal system, and in all those situations in which you want to divert the course of the fluid in function of the instant temperature. The thermostatic sensor plunged directly in the fluid "feels" the temperature, and in function of the value of the SET POINT (35 °c) diverts the course. The diverter valve does not have electrical or electronic devices, with great benefit of reliability, simplicity of the system and saving energy.

TECHNICAL DATA:

Inlet connection: 1" m
 Outlet connection: 1" m
 Maximum pressure (static): 1.000 KPa (10 Bar)
 Work pressure (dynamic): 100÷500 KPa (1÷ 5 Bar) Maximum temperature inlet:
 100°C
 Precision of adjustment: ±2 °C
 Difference of temperature for the commutation: 4,5 °C
 Setting: 35 °C

INSTALLATION:

Connect the sanitary water outlet from the solar boiler to the inlet of the diverter valve (1" M)
 Connect the outlet 2 of the diverter valve (1" M) to the inlet of the boiler/power generator
 Connect the outlet 1 of the diverter valve (1" M) to the inlet HOT of a thermostatic solar mixer.
 Before installation read the complete instructions.

PRODUCT LISTING:

Stamped brass body UNI EN 12165 CW617 N sanded and nickel plated
 Shutter and internal parts in brass UNI EN 12164 CW617 N
 O-RING EPDM
 Wax thermosensitive element at wax
 Stainless steel springs AISI 302
 Nylon handle PA6

TOLERANCES:

PACKAGING OF THE PRODUCT:
 Packaging according to necessities
 Weight: 0,42 kg (without packaging).

ST_PRODOTTO: TVDT100M35SUN

APPROVATO
 - 1
 R.T.

REV.00 DEL 08/06/2020

The above mentioned information cannot be considered as binding. Thermomat S.r.l. reserves the right to make technical and aesthetic changes without any prior notice.

Thermomat s.r.l.

Via M. Curie, 7 - 46034 Borgo Virgilio (Mantova) ITALY
 Tel. + 39 0376 4473

www.thermomat.com - info@thermomat.com



Company with Quality Management System certified according to the standard UNI EN ISO 9001:2015