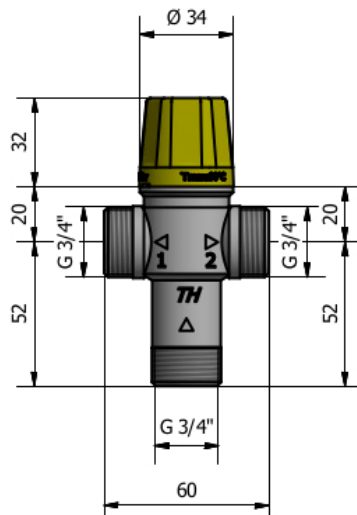


TECHNICAL DRAWING



PHOTO



PRODUCT FAMILY: DIVERTER VALVES THERMOSTATIC - MIXSOLAR
CODE: TVDT34M45SUN
DESCRIPTION: Mixing thermostatic valve 3/4\" for solar panels. Setting 45° C

HYDRAULIC PERFORMANCES:

Anti scalding function: in case of lack of cold water from the plant the mixer automatically closes the hot water inlet interrupting the flow of exiting water to avoid any possible scalding. Designed to resist to temperature peaks beyond 100°C

CERTIFICATIONS:

TUV certification UNI EN ISO 9001
 Designed according to the main points of the UNI EN 1111.

PRODUCT FEATURES:

The solar diverter valve finds its application in thermal solar systems, in all those situations in which it is necessary or you want to divert the direction of the fluid in function of the instant temperature you got. The thermostatic sensor plunged directly in the fluid "feels" the temperature, and considering the deviation of the SET-POINT (45°C), diverts the course. The diverter thermostatic valve does not have electrical/electronic devices, with a great benefit in terms of reliability, simplicity of the system and energy saving.

TECHNICAL DATA:

Inlet connection: 3/4\" m
 Outlet connection: 3/4\" m
 Maximum pressure (static): 1.000 KPa (10 Bar)
 Work pressure (dynamic): 100÷500 KPa (1÷ 5 Bar) Maximum inlet temperature:
 100°C
 Regulation accuracy: ±2 °C
 Difference of temperature for commutation: 4,5 °C
 Setting: 45 °C

INSTALLATION:

Connect the outlet of the sanitary water from the solar boiler to the inlet of the diverter valve (3/4\" M) Connect the outlet 2 of the diverter valve (3/4\" M) to the inlet of the boiler / power unit. Connect the exit 1 of the diverter valve (3/4\" M) to the inlet HOT of a thermostatic solar mixer. Before installation read the instruction

PRODUCT LISTING:

Body made of moulded brass UNI EN 12165 CW617 N sandblast and nickel plated. Obturator and inside pieces made of Brass UNI EN 12164 CW617 NO-RING
 EPDM Element heat-sensitive to wax. Steel spring AISI 302 Knob: Nylon PA6

TOLERANCES:

PACKAGING OF THE PRODUCT:
 Packaging according to necessities
 Weight: 0,4 kg (without packaging).

ST_PRODOTTO: TVDT34M45SUN	APPROVATO - 1 R.T.
REV.00 DEL 08/06/2020	

The above mentioned information cannot be considered as binding. Thermomat S.r.l. reserves the right to make technical and aesthetic changes without any prior notice.

Thermomat s.r.l.

Via M. Curie, 7 - 46034 Borgo Virgilio (Mantova) ITALY

Tel. + 39 0376 4473

www.thermomat.com - info@thermomat.com



Company with Quality Management System certified according to the standard UNI EN ISO 9001:2015