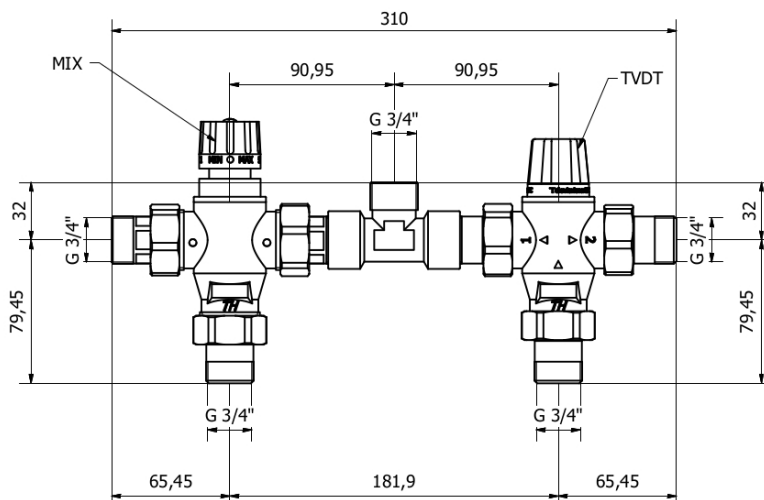


TECHNICAL DRAWING



PHOTO



PRODUCT FAMILY: THERMOSTATIC MIXER- MIX SOLAR SERIES
CODE: TMT12MSUN
DESCRIPTION: Thermostatic mixer 1/2" for solar panles

HYDRAULIC PERFORMANCES:

Anti scalding function: in case of lack of cold water from the plant the mixer automatically closes the hot water inlet interrupting the flow of exiting water to avoid any possible scalding.
 Designed to resist to temperature peaks beyond 100°C

CERTIFICATIONS:

TUV certification UNI EN ISO 9001
 Designed according to the main points of the UNI EN 1111.

PRODUCT FEATURES:

Thermostatic mixer 1/2"; its compact dimensions make it ideal for applications in limited spaces. The thermostatic mixers regulates at a pre-set value the water temperature automatically mixing hot and cold water. They allow the maximum of comfort, a relevant saving in water and energy, they avoid the danger of accidental scalding. Especially designed for the installation on solar panel systems; actually, on those plants in summer and when the taking is not high, you can reach very high temperatures, near to 100°C, that can also cause safety problems. The solar thermostatic mixers grant the safety and the efficiency of the plant and they are designed to resist to temperature peaks over 100°C. The handle can be blocked by the screw on the cap to avoid accidental tampering. The inlets and outlet have a 1/2" G male connections. The mixer is factory set using cold water at 15°C and hot water at 65°C at 3 bar so that printed numbers will approximately match the temperatures in the above table. The handle can be blocked using the screw on the cap, in order to avoid accidental tampering. The inlets and the exit have a 1/2" G male connections and they are also equipped with seats for copper pipes diam.15 mm.

TECHNICAL DATA:

Connessioni ingresso: 1/2" maschio
 Connessione uscita: 1/2" maschio
 E' possibile utilizzare tubi rame Ø 15 mm sia agli ingressi che all'uscita
 Maximum pressure (static): 1.000 KPa (10 Bar)
 Working pressure (dynamic): 100÷500 KPa (1÷ 5 Bar)
 Maximum inlet temperature: 100°C
 Control range: 30÷65°C
 Regulation accuracy: ±2 °C
 kv: 1,6 m³/h

INSTALLATION:

Absolutely respect connections:
 HOT (H) = Hot water inlet
 COLD (C) = Cold water inlet
 MIX = Mixed water outlet
 -If the pressures of the cold and of the hot water are relevantly different one from the other you need to install check valves on the inlets
 -If the water of the supply contains corpuscles you need to install filters

The above mentioned information cannot be considered as binding. Thermomat S.r.l. reserves the right to make technical and aesthetic changes without any prior notice.

ST_PRODOTTO: TVKITDEV34SUN45

APPROVATO
 - 1
 R.T.

REV.00 DEL 08/06/2020

PRODUCT LISTING:

Stamped brass body UNI EN 12165 CW617 N sanded and nickel plated
Shutter and internal parts in brass UNI EN 12164 CW617 N
O-RING EPDM
Wax thermosensitive element
Stainless steel springs AISI 302
Nylon handle PA6

TOLERANCES:**PACKAGING OF THE PRODUCT:**

Packaging according to necessities
Weight: 0,42 kg (without packaging).

The above mentioned information cannot be considered as binding. Thermomat S.r.l. reserves the right to make technical and aesthetic changes without any prior notice.

ST_PRODOTTO: TVKITDEV34SUN45	APPROVATO - 1 R.T.
REV.00 DEL 08/06/2020	