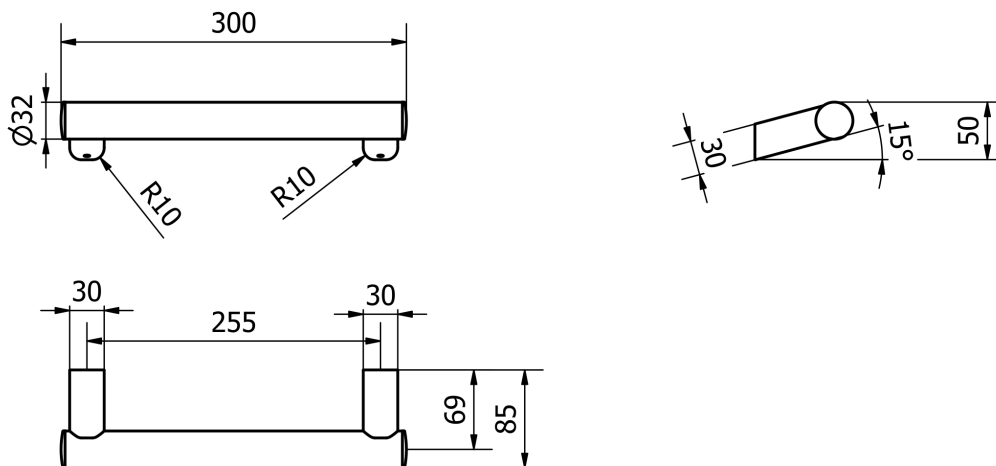


TECHNICAL DRAWING



PHOTO



PRODUCT FAMILY: GRAB BARS AND HAND RAILS - VITAL SERIES

CODE: SLVTMSR0300XBO

DESCRIPTION: Straight grab bar, length 30 cm, Vital series. Inclined wall supports with rounded profile. Class I Medical Device. Mat white colour.

MECHANICAL PERFORMANCES:

Maximum load 150 kg.

APPROVALS/CERTIFICATIONS:

TUV system certification UNI EN ISO 9001

Declaration of conformity to CE ref. European Regulation for medical devices 745/2017.

Reference rule: UNI EN 12182, UNI CEI EN ISO 14971, UNI CEI EN ISO 20417

PRODUCT FEATURES:

Straight grab bar made of galvanized and painted structural steel, with aluminum crosspieces and bushings. Caps in painted ABS.

Diameter of the tubes 32 mm. Distance wall-tube center 69 mm. 15° upward tilt.

Intended use: the grab bars and handrails are used in toilets or other rooms to facilitate walking for people with limited or impaired mobility.

FIXING/INSTALLATION:

Wall fixing with 2 dowels.

Dowels not included in the package.

Choose suitable plugs according to the type of masonry.

Hole diameter in wall fixing bush: 9 mm.

Safety information: The installation of the device must be carried out by a competent and qualified professional installer. Choose fixing elements suitable for the wall on which the product will be installed. The manufacturer is not responsible for installing the product. Periodically check that the wall fixing is solid and stable. Keep the product properly clean.

Keep the lot number on the label attached to the product.

If the device is unstable or damaged, it must not be used until it has been checked and approved by a professional installer.

MAINTENANCE:

Periodically check the correct fastening of the accessories.

Carry out adequate cleaning with soap and water, do not use abrasive, corrosive or chlorine-containing products. Disinfect periodically.

The above mentioned information cannot be considered as binding. Thermomat Saniline S.r.l. reserves the right to make technical and aesthetic changes without any prior notice.

ST_PRODOTTO: SLVTMSR0300XBO	APPROVATO - 1 R.T.
REV.00 DEL 07/03/2023	

Thermomat Saniline s.r.l.
 ISO 9001 Quality Management System certified by TÜV Italia Srl since 2005
 Via M. Curie, 7 - 46034 Borgo Virgilio (Mantova) ITALY
 Tel. + 39 0376 4473
 www.thermomat.com - info@thermomat.com

PRODUCT COMPOSITION: N° 1 Pipe Ø32 x 15/10 S235JHR Galvanized and painted RAL9016	MATERIALS:	TREATEMENTS:	TOLERANCES: 0÷300±3 301÷600±4 601÷2000±5
N° 2 Crosspieces Painted Aluminum RAL9016			PACKAGING OF THE PRODUCT: Individual packing x x mm.
N° 2 Aluminum fixing bushings			
N° 2 ABS caps painted RAL9016			
			Weight kg

The above mentioned information cannot be considered as binding. Thermomat Saniline S.r.l. reserves the right to make technical and aesthetic changes without any prior notice.

ST_PRODOTTO: SLVTMSR0300XBO	APPROVATO - 1 R.T.
REV.00 DEL 07/03/2023	