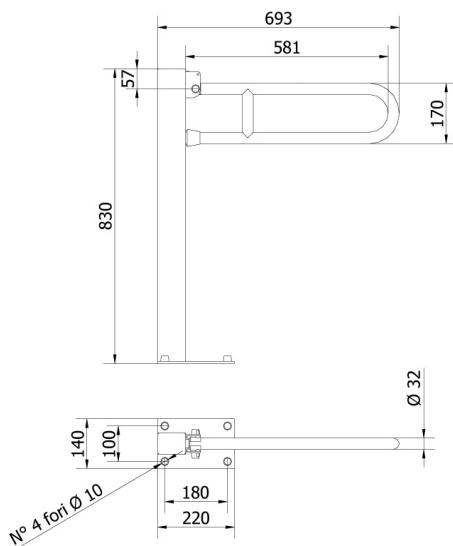


PRODUCT TECHNICAL SHEET

TECHNICAL DRAWING



PHOTO



PRODUCT FAMILY: HANDBARS AND HANDRAILS – SOFT SERIES

CODE: 650-SF-A

DESCRIPTION: Hinged folding support rail, 600 mm, with blocking device in upright position, mounted on a post fixed to the floor. Anthracite Grey colour. Thermosoft treatment.

MECHANICAL PERFORMANCES:

Maximum load 150 kg.

APPROVALS/CERTIFICATIONS:

TUV system certification UNI EN ISO 9001

EC declaration of conformity to the European Regulation for Medical Devices 745/2017.

Reference standards: UNI EN 12182

PRODUCT FEATURES:

60x80 steel section post welded to a floor mounting plate. Ø 32 cold bent body.
High friction coefficient to improve safety and comfort during use.

FIXING/INSTALLATION:

Floor mounting by n° 4 plugs.

Plugs are not included in the package.

Read the instruction sheet to choose the suitable plugs according to the type of wall.

MAINTENANCE:

Check the correct fastening of the accessories periodically.

Perform a proper cleaning with water and soap, do not use abrasive or corrosive agents or coarse sponges.

PRODUCT COMPOSITION:

N° 1 Pipe Ø32 x 15/10 - DC04 - Zinc-coated and painted Anthracite Grey - Thermosoft treatment

N° 1 Post with mounting plate - DC04 - Zinc-coated and painted Anthracite Grey - Thermosoft treatment

N° 1 Threaded bolt - Steel

N° 2 Mechanical locking devices - PVC

N° 6 Nut covers - Nylon PA6 - Black

N° 6 Washers for nut covers- Nylon PA6 - RAL9016

N° 1 End cap - PVC Black

TOLERANCES:

0÷300 ±3 301÷600 ±4 601÷2000 ±5

PACKAGING OF THE PRODUCT:

Individually wrapped in bubble wrap and packed in cardboard box 240 x 180 x 880

mm.

Weight: 7,5 kg

ST_PRODOTTO: 650-SF-A	- 1	APPROVATO R.T.
REV.03 del 10/02/2022		

The above mentioned information cannot be considered as binding. Thermomat Saniline S.r.l. reserves the right to make technical and aesthetic changes without any prior notice.

Thermomat Saniline s.r.l.

Via M. Curie, 7 - 46034 Borgo Virgilio (Mantova) ITALY

Tel. + 39 0376 4473

www.thermomat.com - info@thermomat.com



Company with Quality Management System certified according to the standard UNI EN ISO 9001:2015