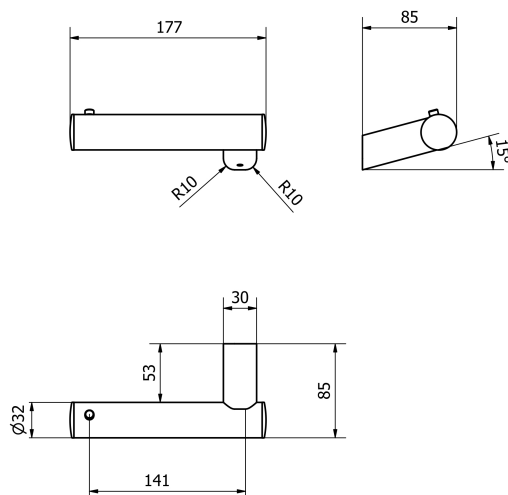
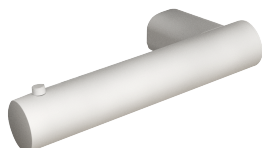


PRODUCT TECHNICAL SHEET

TECHNICAL DRAWING



PHOTO



PRODUCT FAMILY: ACCESSORIES - VITAL SERIES

CODE: SLVTPRR0160XB0

DESCRIPTION: Toilet paper roll holder, Series Vital. slating wall support, rounded profile.

Color mat white.

MECHANICAL PERFORMANCES:

APPROVALS/CERTIFICATIONS:

TUV system certification UNI EN ISO 9001

PRODUCT FEATURES:

Toilet paper roll holder, made of galvanized steel, with lower support and bushing made of aluminium. Caps made in painted ABS. With stopper in order to avoid the accidental fall of the paper roll. Diameter of the tube 32 mm. Distance from the lower part of the washbasin to the centre of the tube 69 mm. Total L= 170 mm, Usable length l= 115 mm. Incline 15° upward.

FIXING/INSTALLATION:

Wall fixation with n°1 fastener, not included in the package. Choose the correct type of fastener considering the type of wall on which you are going to install the product. Diameter of the hole of the bushing for wall fixation: 9 mm.

MAINTENANCE:

Check periodically the correct fixation of the accessories. Make a proper cleaning with water and soap, do not use abrasive products, or corrosive, or chlorine agents. Disinfect periodically.

PRODUCT COMPOSITION:

N° 1 Tube Ø32 x 15/10 S235JHR Galvanized and painted RAL9016

N° 1 Lower support in aluminium painted RAL9016

N° 1 Bushing for fixation made of Aluminium

N° 1 Cap in ABS painted RAL9016

MATERIALS:

TREATEMENTS:

TOLERANCES:

0÷300±3 301÷600±4 601÷2000±5

PACKAGING OF THE PRODUCT:

Single package in pluriball and carton box x x mm.

Weight: kg

ST_PRODOTTO: SLVTPRR0160XB0

APPROVATO
1
R.T.

REV.00 DEL 07/03/2023

The above mentioned information cannot be considered as binding. Thermomat Saniline S.r.l. reserves the right to make technical and aesthetic changes without any prior notice.

Thermomat Saniline s.r.l.

Via M. Curie, 7 - 46034 Borgo Virgilio (Mantova) ITALY

Tel. + 39 0376 4473

www.thermomat.com - info@thermomat.com



Company with Quality Management System certified according to the standard UNI EN ISO 9001:2015