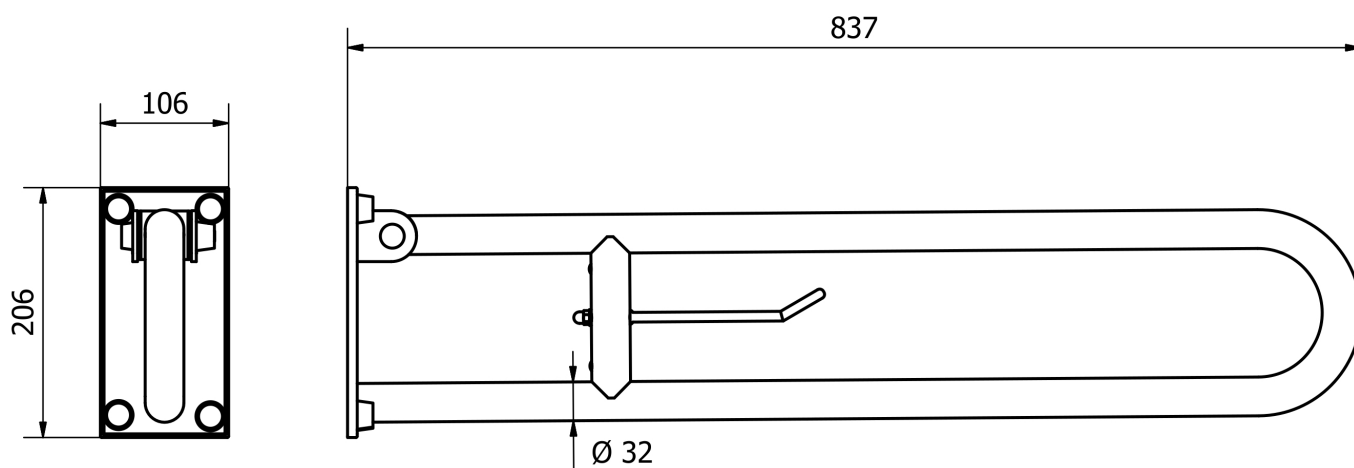
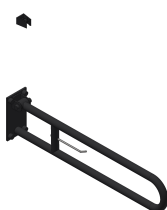


TECHNICAL DRAWING



PHOTO



PRODUCT FAMILY: HANDBARS AND HANDRAILS – SOFT SERIES

CODE: 840-SF-A

DESCRIPTION: Hinged folding support rail, 830 mm, with toilet roll holder and blocking device in upright position. Electrical insulation. Anthracite Grey colour. Thermosoft treatment.

MECHANICAL PERFORMANCES:

Maximum load 150 kg.

APPROVALS/CERTIFICATIONS:

TUV system certification UNI EN ISO 9001

EC declaration of conformity to the European Regulation for Medical Devices 745/2017.

Reference standards: UNI EN 12182

PRODUCT FEATURES:

Ø 32 cold bent body, complete with mounting plate and toilet roll holder.
High friction coefficient to improve safety and comfort during use.
The mounting plate electrically insulates the product.

FIXING/INSTALLATION:

Wall mounting by N° 4 plugs.
Plugs are not included in the package.
Read the instruction sheet to choose the suitable plugs according to the type of wall.

MAINTENANCE:

Check the correct fastening of the accessories periodically.
Perform a proper cleaning with water and soap, do not use abrasive or corrosive agents or coarse sponges.

PRODUCT COMPOSITION:

- N° 1 Pipe Ø32 x 15/10 - DC04 - Zinc-coated and painted Anthracite Grey - Thermosoft treatment
- N° 1 Insulating plate - Nylon PA6 - Black
- N° 1 Mounting plate - DC11 - Zinc-coated and painted Anthracite Grey - Thermosoft treatment
- N° 1 Rotation screw - Stainless steel
- N° 6 Nut covers - Nylon PA6 - Black
- N° 5 Washers for nut covers- Nylon PA6 - RAL9016
- N° 1 Mechanical locking device - Nylon PA6
- N° 1 Toilet roll holder with mounting nut - AISI 304 Polished

TOLERANCES:

GENERAL TOLERANCES - LENGTH (mm)
0÷300 ±3 301÷600 ±4 601÷2000 ±5

PACKAGING OF THE PRODUCT:

Individually wrapped in bubble wrap and packed in cardboard box 885 x 210 x 120 mm.
Weight: 4 kg

ST_PRODOTTO: 840-SF-A

APPROVATO
- 1
R.T.

REV.03 del 10/02/2022

The above mentioned information cannot be considered as binding. Thermomat Saniline S.r.l. reserves the right to make technical and aesthetic changes without any prior notice.

Thermomat Saniline s.r.l.

Via M. Curie, 7 - 46034 Borgo Virgilio (Mantova) ITALY

Tel. + 39 0376 4473

www.thermomat.com - info@thermomat.com



Company with Quality Management System certified according to the standard UNI EN ISO 9001:2015