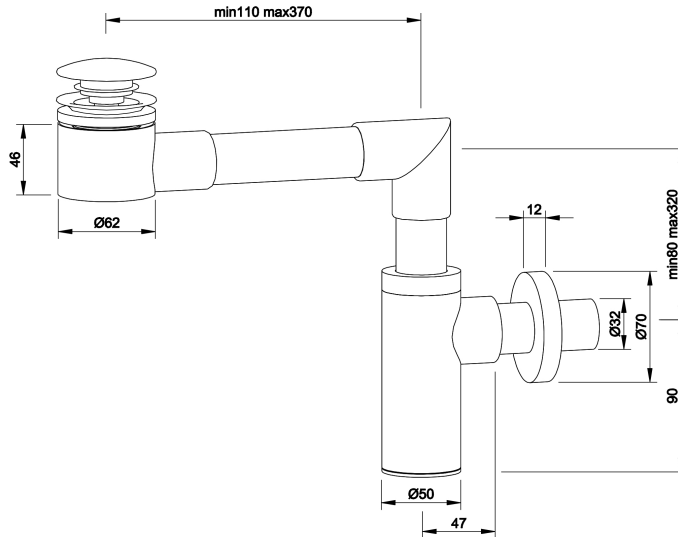


## PRODUCT TECHNICAL SHEET

### TECHNICAL DRAWING



### PHOTO

non disponibile

### PRODUCT FAMILY: ACCESSORIES FOR SANITARYWARE

**CODE:** SLVTSSS0114XCR

**DESCRIPTION:** Space-saving syphon with click-clack drain H 60 mm, chrome plated

### MECHANICAL PERFORMANCES:

### APPROVALS/CERTIFICATIONS:

TUV system certification UNI EN ISO 9001

### PRODUCT FEATURES:

Space-saving syphon with click-clack drain H 60 mm, made of chrome plated brass.

1"1/4 drain.

Outlet tube Ø 32 mm. Diameter wall tube Ø 70 mm

In compliance with regulation EN 274

### FIXING/INSTALLATION:

### PRODUCT COMPOSITION:

### MATERIALS:

### TREATEMENTS:

### MAINTENANCE:

### TOLERANCES:

### PACKAGING OF THE PRODUCT:

The above mentioned information cannot be considered as binding. Thermomat Saniline S.r.l. reserves the right to make technical and aesthetic changes without any prior notice.

ST\_PRODOTTO: SLVTSSS0114XNO

APPROVATO  
- 1  
R.T.

REV.00 DEL 11/04/2023

**Thermomat Saniline s.r.l.**  
ISO 9001 Quality Management System certified by TÜV Italia Srl since 2005

Via M. Curie, 7 - 46034 Borgo Virgilio (Mantova) ITALY

Tel. + 39 0376 4473

www.thermomat.com - info@thermomat.com