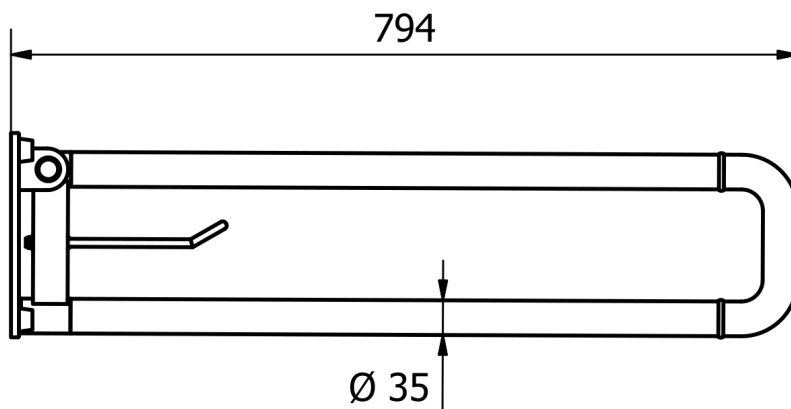
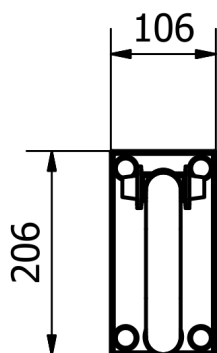
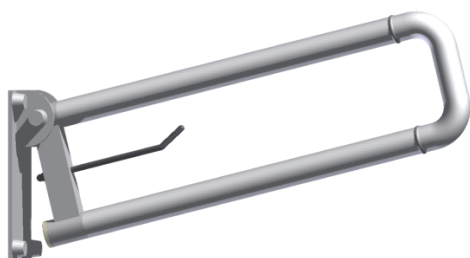


TECHNICAL DRAWING



PHOTO



PRODUCT FAMILY: HANDBARS AND HANDRAILS – NYLON SERIES

CODE: 840-NY

DESCRIPTION: Hinged folding support rail, 800 mm, with blocking device in upright position and toilet roll holder. Electrical insulation. White colour.

MECHANICAL PERFORMANCES:

Maximum load 120 kg.

APPROVALS/CERTIFICATIONS:

TUV system certification UNI EN ISO 9001

EC declaration of conformity to the European Regulation for Medical Devices 745/2017.

Reference standards: UNI EN 12182

PRODUCT FEATURES:

Ø 35 nylon-coated iron-core body with antibacterial additive. Ø 35 nylon printed elements with antibacterial additive. Decorative rings made of colored nylon. All the components are PVC free. The mounting plate electrically insulate the product. Complete with washers, nut covers, nylon hole plugs, blocking device in upright position and toilet roll holder.

FIXING/INSTALLATION:

Wall mounting by n° 4 plugs.
Plugs are not included in the package.
Read the instruction sheet to choose the suitable plugs according to the type of wall.

MAINTENANCE:

Check the correct fastening of the accessories periodically.
Perform a proper cleaning with water and soap, do not use abrasive or corrosive agents or coarse sponges.
Do not use hydrochloric or sulphuric acid or any of their compounds, derivatives or solutions.

PRODUCT COMPOSITION:

- N° 1 Plate - Fe360 50/10 - Zinc-coated - Painted
- N° 1 Body core - Fe360 - Cataphoresis - Painted
- N° 2 Pipes - Nylon PA6 - Extruded - RAL9016
- N° 1 Double bend - Nylon PA6 - Printed - RAL9016
- N° 2 Hole plugs - Nylon PA6 - Printed - RAL9016
- N° 2 Decorative rings - Nylon PA6 - Printed - RAL7045
- N° 6 Washers and nut covers - Nylon PA6 - Printed - RAL9016
- N° 3 Fixing screws - Steel
- N° 2 Blocking devices - Nylon PA6 - Turned - semi-transparent white
- N° 1 Toilet roll holder (with fixing nut) - Stainless steel - Ground

TOLERANCES:

GENERAL TOLERANCES - LENGTH (mm)
0÷300 ±3 301÷600 ±4 601÷2000 ±5

PACKAGING OF THE PRODUCT:

Individually wrapped in bubble wrap and packed in cardboard box 880 x 241 x 111 mm.
Weight: 4,43 kg

The above mentioned information cannot be considered as binding. Thermomat Saniline S.r.l. reserves the right to make technical and aesthetic changes without any prior notice.

ST_PRODOTTO: 840-NY - 1	APPROVATO R.T.
REV.03 del 10/02/2022	