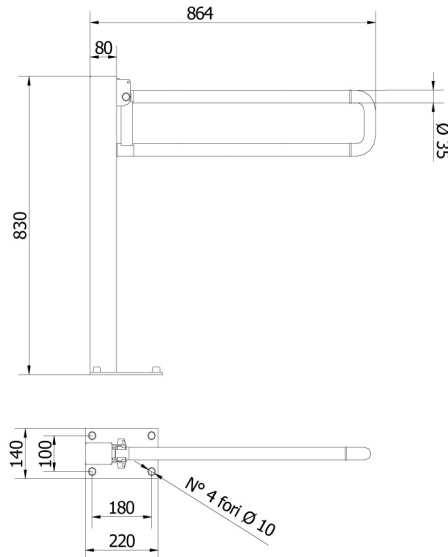


PRODUCT TECHNICAL SHEET

TECHNICAL DRAWING



PHOTO



PRODUCT FAMILY: HANDBARS AND HANDRAILS – NYLON SERIES

CODE: 850-NY

DESCRIPTION: Hinged folding support rail, 800 mm, with blocking device in upright position, mounted on a post fixed to the floor. White colour.

MECHANICAL PERFORMANCES:

Maximum load 120 kg.

APPROVALS/CERTIFICATIONS:

TUV system certification UNI EN ISO 9001:2008.

Declaration of Conformity according to European Medical Device Directive 93/42.

Reference regulations: Pr EN 1874; UNI EN 12182; UNI CEI EN ISO 14971; UNI EN 1041.

Certified according to SANITIZED Quality Standards.

The nylon used for this item complies with HB and V2 self-extinguishing classifications according to

UL94 regulation.

PRODUCT FEATURES:

Post consisting of welded metal sheets and rectangular tubular profile. Ø 35 nylon-coated iron-core body with antibacterial additive. Ø 35 nylon printed elements with antibacterial additive. Decorative rings made of coloured nylon. All the components are PVC free. Complete with washers, nut covers, nylon hole plugs, blocking device in upright position.

FIXING/INSTALLATION:

Wall mounting by n° 4 plugs.

Plugs are not included in the package.

Read the instruction sheet to choose the suitable plugs according to the type of wall.

MAINTENANCE:

Check the correct fastening of the accessories periodically.

Perform a proper cleaning with water and soap, do not use abrasive or corrosive agents or coarse sponges. Do not use hydrochloric or sulphuric acid or any of their compounds, derivatives or solutions.

PRODUCT COMPOSITION:

N° 1 Post - Fe360 - Cataphoresis - Painted

N° 1 Body core - Fe360 - Cataphoresis - Painted

N° 2 Pipes - Nylon PA6 - Extruded - RAL9016

N° 1 Double bend - Nylon PA6 - Printed - RAL9016

N° 2 Hole plugs - Nylon PA6 - Printed - RAL9016

N° 2 Decorative rings - Nylon PA6 - Printed - RAL7045

N° 6 Washers and nut covers - Nylon PA6 - Printed - RAL9016

N° 3 Fixing screws - Steel

N° 2 Blocking devices - Nylon PA6 - Turned - semi-transparent white

TOLERANCES:

GENERAL TOLERANCES - LENGTH (mm)

0÷300 ±3 301÷600 ±4 601÷2000 ±5

PACKAGING OF THE PRODUCT:

Individually wrapped in bubble wrap and packed in cardboard box 240 x 180 x 880 mm.

Weight: 8,53 kg

ST_PRODOTTO: 850-NY - 1	APPROVATO R.T.
REV.00 DEL 25/09/09	