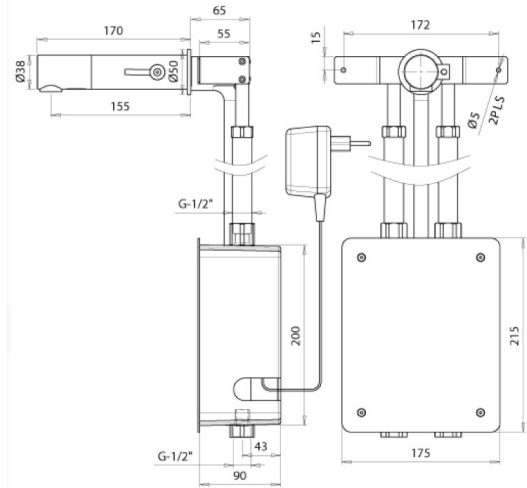
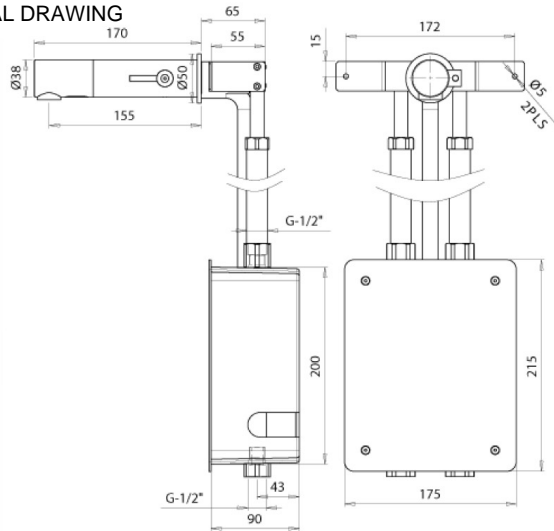


PRODUCT TECHNICAL SHEET

TECHNICAL DRAWING



Versione a batteria (RUEL07MB).

Versione a trasformatore (RUEL07ME).

PHOTO



PRODUCT FAMILY: ELECTRONIC FAUCETS SYNCRO LINE

CODE: RUEL07ME FUTURE DUO

DESCRIPTION:

Built-in electronic tap . Transformer powered

HYDRAULIC PERFORMANCES:

Featuring integratec mixer .

APPROVALS/CERTIFICATIONS:

TUV system certification UNI EN ISO 9001:2008.

Compliant with provisions of the Electromagnetic Compatibility Directive 89/336/EEC directive and subsequent modifications and additions, based on: IEC 61000/IEC 61000-3-3 Part 3: Section 2, Section 3; EN 61000-6-2/ EN 61000-6-2 Part 6-2; EN 55022 Class B and with Low Voltage Directive 73/23/EEC dated February 19th 1973 based on: EN 60730/1

PRODUCT FEATURES:

Electronic tap operated by photocell. Suitable for domestic use and for communities or areas for disabled people, electronic faucets allow considerable water savings and a higher hygienic level compared to traditional and self-closing taps. Powered by 9 V transformer.

Through the optional remote control (art.TC) it is possible to adjust the supply time. The operation range can be adjusted manually. Install the tap at at least 300 mm from the wash basin.

All the products of the Syncro line are designed so that they cannot be damaged by vandals.

The sensors are designed to avoid faucets to be left open (anti-waste and anti-flood function) and to have a maximum 90 seconds operation time; if the sensor is covered for more than 90 seconds (10 minutes for the showers) the water stops automatically. To recover the proper operation, remove any obstacle.

LIST OF PARTS IN THE PACKAGING:

1. Tap 2. Box for wall concealed installation with solenoid valve 3. 9 V transformer 4. Instruction manual

ADJUSTMENT OF THE SENSOR RANGE:

By means of optional remote control art. TC_13.

ST_PRODOTTO: RUEL07ME	- 1	APPROVATO
		R.T.
REV.02 DEL 11/12/12		

TECHNICAL DETAILS:

Product operation system: Infrared technology

Installation: wall concealed installation

Max. inlet hot water temperature: 70°C

Working pressure: from 0.5 to 8 bar In case of pressures higher than 8 bar, use a pressure reducer

Power: 9V Voltage - Transformer

Max. delivery time (anti-vandal safety time tempo): 90 seconds

Activation delay: 0,5 sec

Factory set actioning distance: N.A. Self-setting sensor, it auto-adjusts at the best distance

Best installation distance from the wash basin: 300 mm

Max. activation range: 170 mm

Transformer electrical connection : use the provided power or an equivalent one

Solenoid valve electrical connection : use the provided element or another one with the same characteristics

Inlet water connection: N° 2 1/2" G female connections

Box for concealed installation: 175 x 215 x 90 mm

Dimensions of wall plate: Ø 50 mm

Distance between installation box and built-in tap: max 900 mm

It includes part of corrugated conduit for electric cables.

The above mentioned information cannot be considered as binding. Thermomat Saniline Srl reserves the right to make technical and aesthetic changes without any prior notice.

ST_PRODOTTO: RUELO7ME - 1	APPROVATO R.T.
REV.02 DEL 11/12/12	

THERMOMAT SANILINE SRL

Via M. Curie, 7 - 46034 Borgo Virgilio (Mantova) ITALY

Tel. + 39 0376 4473

www.thermomat.com - e-mail: info@thermomat.com



<p>FIXING/INSTALLATION:</p>	<p>MAINTENANCE: Maintenance of the special and chrome-plated finishings.</p> <p>DO NOT use steel wool or cleaning agents products that contain alcohol, acids, abrasives or similar. The use of any of the prohibited products for cleaning or maintenance could damage the surface of the faucet. To clean the surface ONLY use soap or detergent and water, then dry with a soft cotton cloth. Taps should be protected from sprays of aggressive agents while cleaning the tiles.</p>
<p>PRODUCT COMPOSITION: N° 1 Tap - Chrome-plated brass N° 1 Transformer N° - Fixing elements - various materials N° 1 Solenoid valve N° 1 6lt Aerator</p>	<p>TOLERANCES:</p> <p>PACKAGING OF THE PRODUCT: Packed in cardboard box 380 x 260 x 95 mm. - Weight: 2,7 kg</p>

The above mentioned information cannot be considered as binding. Thermomat Saniline Srl reserves the right to make technical and aesthetic changes without any prior notice.

ST_PRODOTTO: RUELO7ME - 1	APPROVATO R.T.
REV.02 DEL 11/12/12	

THERMOMAT SANILINE SRL
Via M. Curie, 7 - 46034 Borgo Virgilio (Mantova) ITALY
Tel. + 39 0376 4473
www.thermomat.com - e-mail: info@thermomat.com

