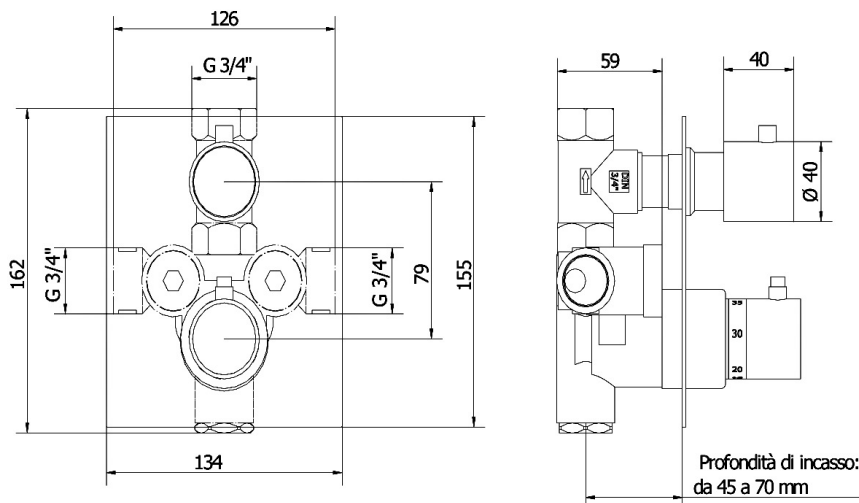


TECHNICAL DRAWING



PHOTO



**PRODUCT FAMILY:** THERMOSTATIC MIXER - THERMOMIXLINE

**CODE:** TMT11R34ML

**DESCRIPTION:**

Thermostatic mixer, wall concealed with a stop tap.

**HYDRAULIC PERFORMANCES:**

With thermostatic mixer and 3/4"G connections

Flow rate with free spout : 40,0 l/min (3 bar)

**CERTIFICATIONS:**

TUV certification UNI EN ISO 9001:2008.

WRAS and ACS certified thermostatic cartridge.

**PRODUCT FEATURES:**

Thermostatic mixer for wall concealing with 1 stop tap.

Brass body, chrome plated brass fittings, knobs in chromed ABS.

Temperature control knob with scale and lock button at 38°C

Interchangeable cartridge with filters and check valves on the inlets.

The thermostatic mixing valve adjusts to a predetermined value the water temperature by automatically mixing hot and cold water, regardless of variations in pressure and temperature of the inlet water.

Therefore it allows the maximum comfort, a considerable energy saving and it avoids the danger of accidental scalding.

Ceramic disc tap with 90° rotation

The filters and the check valves can be easily inspected.

Installation depth from 45 to 70 mm.

With a cover for the wall concealing.

**TECHNICAL DATA:**

Connections: 3/4" G female

Maximum pressure (static): 1.000 KPa (10 Bar)

Working pressure (dynamic): 100÷500 KPa (1÷ 5 Bar)

Maximum temperature inlet: 85°C

Handle control range: 20÷50°C

Safety block: 38°C

Portata a bocca libera : 40,0 l/min (3 bar)

3/4" tap with traditional headworks

Connections can be easily inspected with check valves and filters

Cover for the wall concealing

The above mentioned information cannot be considered as binding. Thermomat Saniline Srl reserves the right to make technical and aesthetic changes without any prior notice.

ST_PRODOTTO: TMT11R34ML - 1	APPROVATO
REV.00 DEL 01/04/10	R.T.

**THERMOMAT SANILINE SRL**  
 Via M. Curie, 7 - 46034 Borgo Virgilio (Mantova) ITALY  
 Tel. + 39 0376 4473  
 www.thermomat.com - e-mail: info@thermomat.com



<b>FIXING/INSTALLATION:</b>	<b>MAINTENANCE:</b> DO NOT use steel wool or cleaning agents containing alcohol, chlorine, acids, abrasives or similar. The use of any of the prohibited products for cleaning or maintenance could damage the surface of the faucet. To clean the surface use ONLY soap and water, then dry with a clean cloth or towel. Do not use abrasive or rough sponges
<b>PRODUCT LISTING:</b> N° 1 Stamped brass body UNI EN 12165 CW617N N° - Shutter and internal parts in brass UNI EN 12164 CW614N N° - Stainless steel springs AISI 302 N° 1 O-ring NBR N° 1 Handle in Chromed ABS N° 1 Polished and chromed brass plate N° 1 Tap in brass with ceramic discs	<b>TOLERANCES:</b>  <b>PACKAGING OF THE PRODUCT:</b> Package in a cardboard box 175 x 165 x 140 mm. Weight: 2,3 kg without package

The above mentioned information cannot be considered as binding. Thermomat Saniline Srl reserves the right to make technical and aesthetic changes without any prior notice.

ST_PRODOTTO: TMT11R34ML - 1	APPROVATO R.T.
REV.00 DEL 01/04/10	

**THERMOMAT SANILINE SRL**  
Via M. Curie, 7 - 46034 Borgo Virgilio (Mantova) ITALY  
Tel. + 39 0376 4473  
www.thermomat.com - e-mail: info@thermomat.com

