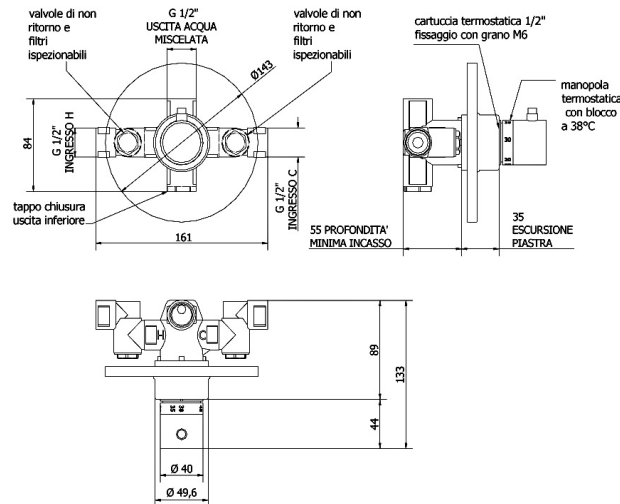


PRODUCT TECHNICAL SHEET

TECHNICAL DRAWING



PHOTO



FAMILY PRODUCT: THERMOSTATIC MIXER - THERMOMIX LINE

CODE: TMT112ML

DESCRIPTION:

Wall concealed thermostatic mixer

HYDRAULIC PERFORMANCE: With thermostatic mixer and 1/2\"G connections.

CERTIFICATIONS:

TUV certification UNI EN ISO 9001:2008.

WRAS and ACS certified thermostatic cartridge.

PRODUCT FEATURES:

Thermostatic mixer for wall concealing without stop tap.

Temperature control knob with scale and lock button at 38°C.

Interchangeable cartridge with filters and check valves on the inlets.

The thermostatic mixing valve adjusts to a predetermined value the water temperature by automatically mixing hot and cold water, regardless of variations in pressure and temperature of the inlet water.

Therefore it allows the maximum comfort, a considerable energy saving and it avoids the danger of accidental scalding.

The filters and the check valves can be easily inspected.

Installation depth from 55 to 90 mm.

TECHNICAL DATA:

Connections: 1/2\" G female

Maximum pressure (static): 1.000 KPa (10 Bar)

Working pressure (dynamic): 100÷500 KPa (1÷ 5 Bar)

Maximum temperature inlet: 85°C

Handle control range: 20÷50°C

Safety block: 38°C

Connections can be easily inspected with DN15 check valves and filters

The above mentioned information cannot be considered as binding. Thermomat Saniline S.r.l. reserves the right to make technical and aesthetic changes without any prior notice.

ST_PRODOTTO: TMT112ML - 1	APPROVATO R.T.
REV.00 DEL 01/04/10	

Thermomat Saniline s.r.l.
ISO 9001 Quality Management System certified by TÜV Italia Srl since 2005

Via M. Curie, 7 - 46034 Borgo Virgilio (Mantova) ITALY

Tel. + 39 0376 4473

www.thermomat.com - info@thermomat.com

FIXING/INSTALLATION:	MAINTENANCE: DO NOT use steel wool or cleaning agents containing alcohol, chlorine, acids, abrasives or similar. The use of any of the prohibited products for cleaning or maintenance could damage the surface of the faucet. To clean the surface use ONLY soap and water, then dry with a clean cloth or towel. Do not use abrasive or rough sponges
PRODUCT LISTING: N° 1 Stamped brass body UNI EN 12165 CW617N N° - Shutter and internal parts in brass UNI EN 12164 CW614N N° - Stainless steel springs AISI 302 N° 1 O-ring NBR N° 1 Handle in Chromed ABS N° 1 Polished and chromed brass plate	TOLERANCES: PACKAGING OF THE PRODUCT: Package in a cardboard box 175 x 165 x 140 mm. Weight: 1,4 kg without packaging

The above mentioned information cannot be considered as binding. Thermomat Saniline S.r.l. reserves the right to make technical and aesthetic changes without any prior notice.

ST_PRODOTTO: TMT12ML - 1	APPROVATO R.T.
REV.00 DEL 01/04/10	