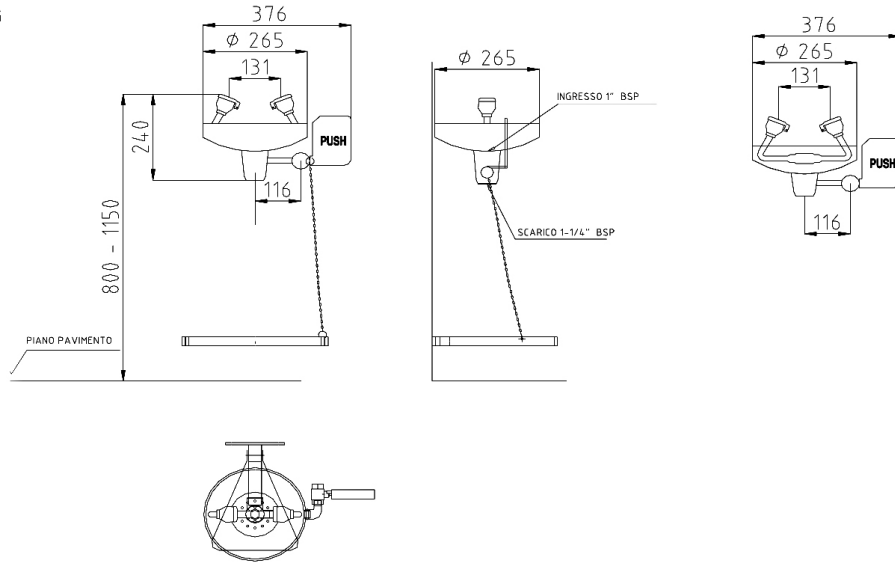


PRODUCT TECHNICAL SHEET

TECHNICAL DRAWING



PHOTO



PRODUCT FAMILY: EYEWASH AND EMERGENCY SHOWERS

CODE: DL110

DESCRIPTION: Wall-mounted eyewash with ABS bowl, hand and pedal operated.

APPROVALS/CERTIFICATIONS:

TUV system certification UNI EN ISO 9001:2008.

Compliant with: UNI 9608 - UNI 10271 - DIN 12899 - ANSI Standard Z358.1 2004 - 93/42/CEE - EN 15154-2.

PRODUCT FEATURES:

Wall-mounted eyewash delivering aerated water flow. ABS outlet heads and bowl, green colour, furnished with covers to protect them from dust; covers open with the water flow and automatically close when the water stops.

Activated by side push flag handle without automatic closure, once activated, the water is delivered until the user voluntarily closes it, as provided for by the above mentioned rules. The flag handle is robust and well visible (100 x 100 x 20/10 mm).

Nylon PA wall bracket reinforced with fiberglass fibers. Universal sign 150 x 150 mm to identify the location of the eyewash station. Complete with pedal, including spring, tensioner and connection screws.

Water is delivered 1 second after it is activated. The flow rate and the shape of the water flow comply with both ANSI Z358.1 2004 and EN 15154 rules. The product's features and the various models available allow to choose the article the best suits the environment where it must be used. It is recommended to use good quality water. The product comes partially assembled.

TECHNICAL DETAILS:

Flow rate: 8 l/min

Water outlet: 1/2"

Drain: 1 1/4"

Bowl diam.: 265 mm

Outlet heads: green ABS with dust covers, opening /closure activated by the water pressure

Flow control: constant water outlet, regardless of pressure variations (automatic pressure compensation)

Activation: Steel pressure flange operating on a chromed brass ball valve, usually open, with steel valve and stem.

Signs: Emergency sign included.

The above mentioned information cannot be considered as binding. Thermomat Saniline S.r.l. reserves the right to make technical and aesthetic changes without any prior notice.

ST_PRODOTTO: DL110 - 1	APPROVATO R.T.
REV.00 DEL 25/09/09	

<p>FIXING/INSTALLATION: Finish the assembly of the product. Fasten to the wall by means of suitable plugs (not included) according to the type of wall, choosing the position provided for by the above mentioned rules. Connect the water outlet and discharge following the instruction sheet, ensuring that the water pressure is proper (between 2,4 and 7 bar), in cas it is not, do not install the eyewash. Except where otherwise indicated, the eyewash must be fed by cold water. If the pressure exceeds 7 bar, install a pressure reducer. Install the sign so that it is clearly visible. The installation must be performed by qualified personnel.</p>	<p>MAINTENANCE: Periodically check the correct fastening of the eyewash. Let water flow periodically (at least once a week) to avoid stagnant water in the pipes. The outlet heads are glued, to remove them, it is necessary to warm them up.</p>
<p>PRODUCT LISTING: Complete wall mounted eyewash. ABS bowl. Stainless steel. Brass. Reinforced nylon PA.</p>	<p>PRODUCT PACKAGING: Packed in cardboard box 385 x 380 x 260 mm. Weight: 4,1 kg</p>

The above mentioned information cannot be considered as binding. Thermomat Saniline S.r.l. reserves the right to make technical and aesthetic changes without any prior notice.

ST_PRODOTTO: DL110 - 1	APPROVATO R.T.
REV.00 DEL 25/09/09	