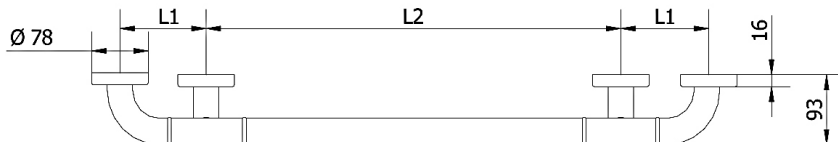
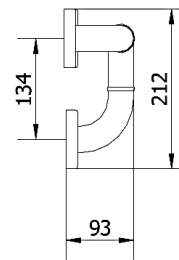
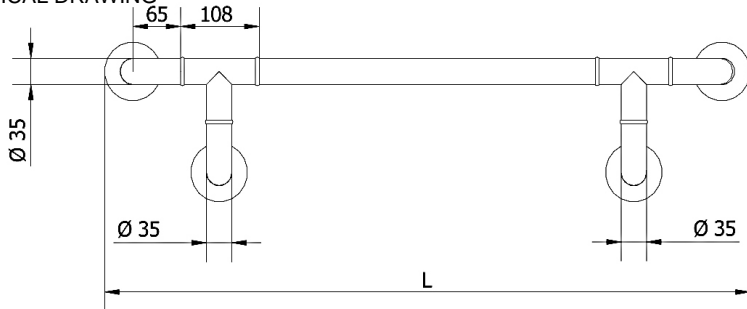


TECHNICAL DRAWING



Particolare:  
piattello di fissaggio  
interno al rosone

N° 3 fori x Ø6,5



PHOTO



**PRODUCT FAMILY:** HANDBARS AND HANDRAILS – NYLON SERIES

**CODE:** CSMAG-NY

**DESCRIPTION:** Custom made handrails with elbow wall brackets. Electrical insulation.

White colour.

**MECHANICAL PERFORMANCES:**

Maximum load 120 kg.

**APPROVALS/CERTIFICATIONS:**

TUV system certification UNI EN ISO 9001

EC declaration of conformity to the European Regulation for Medical Devices 745/2017.

Reference standards: UNI EN 12182

**PRODUCT FEATURES:**

Ø 35 nylon-coated aluminium-core body with antibacterial additive, complete with mounting flanges and flange covers.

Ø 35 nylon printed elements with antibacterial additive. Decorative rings made of coloured nylon. All the components are PVC free.

The mounting flanges electrically insulate the product.

The article is partially assembled to reduce the overall dimensions during transport.

It is possible to apply the hanging seat mod. SDA, in case L1 and L2 are long enough.

**FIXING/INSTALLATION:**

Finish assembling the product before mounting it on the wall

Wall mounting by n° 3 plugs per each flange cover.

Plugs are not included in the package.

Read the instruction sheet to choose the suitable plugs according to the type of wall.

**MAINTENANCE:**

Check the correct fastening of the accessories periodically.

Perform a proper cleaning with water and soap, do not use abrasive or corrosive

agents or coarse sponges.

Do not use hydrochloric or sulphuric acid or any of their compounds, derivatives or

solutions.

**PRODUCT COMPOSITION:**

N° - Pipes - Aluminium EN-AW 6060 - Extruded

N° - Pipes - Nylon PA6 - Extruded - RAL9016

N° - Mounting flanges - Nylon PA6 - Printed - RAL9016

N° - Flange covers - Nylon PA6 - Printed - RAL9016

N° - Flange fixing screws - Steel - Tropicalized

N° - Bends - Nylon PA6 - Printed - RAL9016

N° - Connection sets - Brass, Steel

N° - Decorative rings - Nylon PA6 - Printed - RAL7045

N° - T-shape spacers - Nylon PA6 - Printed - RAL9016

**TOLERANCES:**

GENERAL TOLERANCES - LENGTH (mm)

0÷300 ±3 301÷600 ±4 601÷2000 ±5

**PACKAGING OF THE PRODUCT:**

Individually wrapped in bubble wrap and packed in cardboard box.

Weight: according to the article

The above mentioned information cannot be considered as binding. Thermomat Saniline S.r.l. reserves the right to make technical and aesthetic changes without any prior notice.

ST_PRODOTTO: CSMAG-NY	APPROVATO R.T. - 1
REV.03 del 10/02/2022	

ISO 9001 Quality Management System certified by TÜV Italia Srl since 2005

Via M. Curie, 7 - 46034 Borgo Virgilio (Mantova) ITALY

Tel. + 39 0376 4473

www.thermomat.com - info@thermomat.com

**Thermomat Saniline s.r.l.**