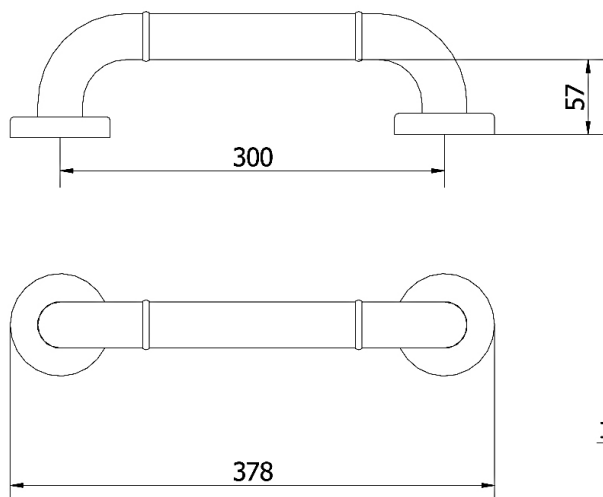
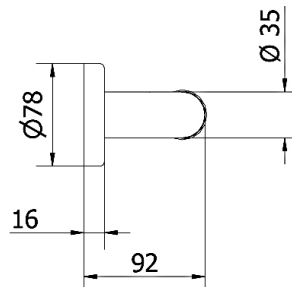


TECHNICAL DRAWING



Particolare:
piattello di fissaggio
interno al rosone

N° 3 fori x Ø6,5



PHOTO



PRODUCT FAMILY: HANDBARS AND HANDRAILS – NYLON SERIES
CODE: M30-NY
DESCRIPTION: Linear handbar 300 mm. Electrical insulation. White colour.

MECHANICAL PERFORMANCES:
 Maximum load 120 kg.

APPROVALS/CERTIFICATIONS:
 TUV system certification UNI EN ISO 9001:2008.
 Declaration of Conformity according to European Medical Device Directive 93/42.
 Reference regulations: Pr EN 1874; UNI EN 12182; UNI CEI EN ISO 14971; UNI EN 1041.
 Certified according to SANITIZED Quality Standards.
 The nylon used for this item complies with HB and V2 self-extinguishing classifications according to UL94 regulation.

PRODUCT FEATURES:

Ø 35 nylon-coated aluminium-core body with antibacterial additive, complete with mounting flanges and flange covers.
 Ø 35 nylon printed elements with antibacterial additive. Decorative rings made of coloured nylon. All the components are PVC free.
 The mounting flanges electrically insulate the product.
 It is not possible to apply the hanging seat mod. SDA.

FIXING/INSTALLATION:

Finish assembling the product before mounting it on the wall.
 Wall mounting by n° 6 plugs.
 Plugs are not included in the package.
 Read the instruction sheet to choose the suitable plugs according to the type of wall.

MAINTENANCE:

Check the correct fastening of the accessories periodically.
 Perform a proper cleaning with water and soap, do not use abrasive or corrosive agents or coarse sponges.
 Do not use hydrochloric or sulphuric acid or any of their compounds, derivatives or solutions.

PRODUCT COMPOSITION:

- N° 1 Pipe Ø32 x 15/10 - Aluminium EN-AW 6060 - Extruded
- N° 1 Pipe - Nylon PA6 - Extruded - RAL9016
- N° 2 Mounting flanges - Nylon PA6 - Printed - RAL9016
- N° 2 FLange covers - Nylon PA6 - Printed - RAL9016
- N° 2 Flange fixing screws - Steel - Tropicalized
- N° 2 Bends - Nylon PA6 - Printed - RAL9016
- N° 2 Connection sets - Brass, Steel
- N° 2 Decorative rings - Nylon PA6 - Printed - RAL7045

TOLERANCES:

GENERAL TOLERANCES - LENGTH (mm)
 0÷300 ±3 301÷600 ±4 601÷2000 ±5

PACKAGING OF THE PRODUCT:

Individually wrapped in PE bag 15x25 cm and packed in cardboard box 110 x 40 x 340 mm.
 Weight: 0,7 kg

ST_PRODOTTO: M30-NY	APPROVATO - 1
REV.00 DEL 25/09/09	R.T.

THERMOMAT SANILINE SRL

Via M. Curie, 7 - 46034 Borgo Virgilio (Mantova) ITALY
 Tel. + 39 0376 4473
 www.thermomat.com - e-mail: info@thermomat.com

