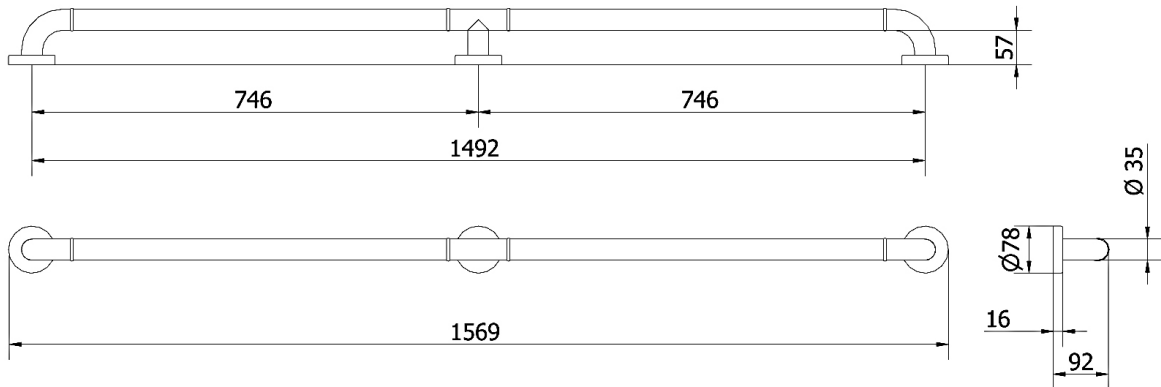


TECHNICAL DRAWING

Particolare:
piattello di fissaggio
interno al rosone

N° 3 fori x Ø6,5



PHOTO



PRODUCT FAMILY: HANDBARS AND HANDRAILS – NYLON SERIES

CODE: M150-NY

DESCRIPTION: Linear handbar 150 cm. Electrical insulation. White colour.

MECHANICAL PERFORMANCES:

Maximum load 120 kg.

APPROVALS/CERTIFICATIONS:

TUV system certification UNI EN ISO 9001:2008.

Declaration of Conformity according to European Medical Device Directive 93/42.

Reference regulations: Pr EN 1874; UNI EN 12182; UNI CEI EN ISO 14971; UNI EN 1041.

Certified according to SANITIZED Quality Standards.

The nylon used for this item complies with HB and V2 self-extinguishing classifications according to

UL94 regulation.

PRODUCT FEATURES:

Ø 35 nylon-coated aluminium-core body with antibacterial additive, complete with mounting flanges and flange covers.

Ø 35 nylon printed elements with antibacterial additive. Decorative rings made of coloured nylon. All the components are PVC free.

The mounting flanges electrically insulate the product.

It is possible to apply the hanging seat mod. SDA.

FIXING/INSTALLATION:

Finish assembling the product before mounting it on the wall.

Wall mounting by n° 9 plugs.

Plugs are not included in the package.

Read the instruction sheet to choose the suitable plugs according to the type of wall.

MAINTENANCE:

Check the correct fastening of the accessories periodically.

Perform a proper cleaning with water and soap, do not use abrasive or corrosive

agents or coarse sponges.

Do not use hydrochloric or sulphuric acid or any of their compounds, derivatives or

solutions.

PRODUCT COMPOSITION:

N° 1 Pipe Ø32 x 15/10 - Aluminium EN-AW 6060 - Extruded

N° 2 Pipes - Nylon PA6 - Extruded - RAL9016

N° 3 Mounting flanges - Nylon PA6 - Printed - RAL9016

N° 3 FLange covers - Nylon PA6 - Printed - RAL9016

N° 3 Flange fixing screws - Steel - Tropicalized

N° 2 Bends - Nylon PA6 - Printed - RAL9016

N° 2 Connection sets - Brass, Steel

N° 4 Decorative rings - Nylon PA6 - Printed - RAL7045

N° 1 T-shape spacer - Nylon PA6 - Printed - RAL9016

TOLERANCES:

GENERAL TOLERANCES - LENGTH (mm)

0÷300 ±3 301÷600 ±4 601÷2000 ±5

PACKAGING OF THE PRODUCT:

Individually wrapped in PE bag 20x30 cm and packed in cardboard box 145 x 35 x

1650 mm.

Weight: 1,95 kg

ST_PRODOTTO: M150-NY	APPROVATO R.T.
REV.00 DEL 25/09/09	- 1

