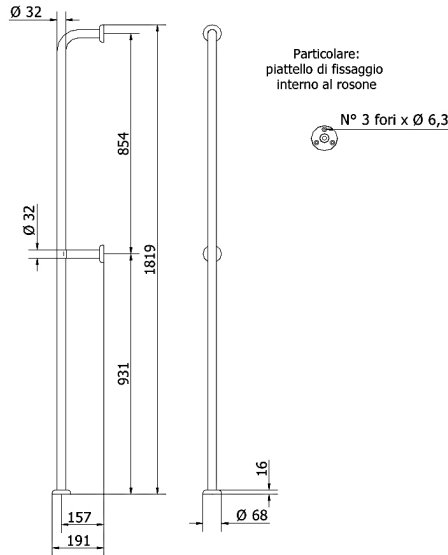


## PRODUCT TECHNICAL SHEET

### TECHNICAL DRAWING



### PHOTO



### PRODUCT FAMILY: HANDBARS AND HANDRAILS – SOFT SERIES

**CODE:** 330-SF-A

**DESCRIPTION:** Vertical wall-to-floor grab bar. Electrical insulation. Anthracite Grey colour. Thermosoft treatment.

### MECHANICAL PERFORMANCES:

Maximum load 150 kg.

### APPROVALS/CERTIFICATIONS:

TUV system certification UNI EN ISO 9001:2008.

Declaration of Conformity according to European Medical Device Directive 93/42.

Reference regulations: Pr EN 1874; UNI EN 12182; UNI CEI EN ISO 14971; UNI EN 1041.

Istituto Giordano's test report N° 258076.

### PRODUCT FEATURES:

Ø 32 cold bent body, complete with mounting flanges and flange covers.

High friction coefficient to improve safety and comfort during use.

The mounting flanges electrically insulate the product.

### FIXING/INSTALLATION:

Wall mounting by n° 9 plugs.

Plugs are not included in the package.

Read the instruction sheet to choose the suitable plugs according to the type of wall.

### PRODUCT COMPOSITION:

N° 2 Pipes Ø32 x 15/10 - Fe Po4 - Zinc-coated and painted Anthracite Grey - Thermosoft treatment

N° 3 Mounting flanges - Nylon PA6 - RAL9016

N° 3 FLange covers - Nylon PA6 - Anthracite Grey - Thermosoft treatment

N° 3 Flange fixing screws - Steel - Tropicalized

N° 2 Fixing bushings - Brass UNI EN 12164 CW614N

N° 1 Support - Nylon PA6 - Black

### MAINTENANCE:

Check the correct fastening of the accessories periodically.

Perform a proper cleaning with water and soap, do not use abrasive or corrosive agents or coarse sponges.

### TOLERANCES:

GENERAL TOLERANCES - LENGTH (mm)

0÷300 ±3 301÷600 ±4 601÷2000 ±5

### PACKAGING OF THE PRODUCT:

Individually wrapped in bubble wrap and packed in cardboard box 230 x 40 x 1840

mm.

Weight: 3 kg