
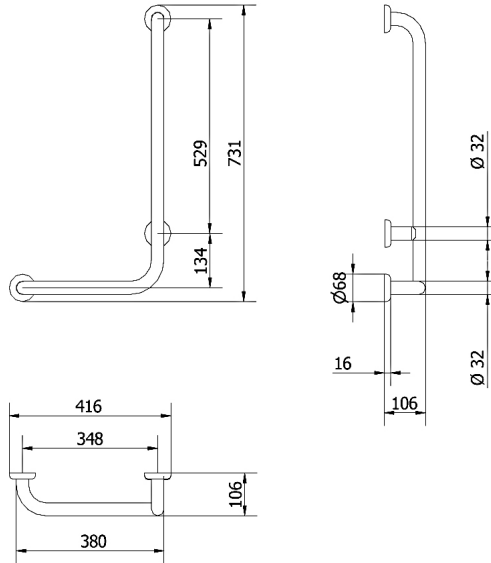


## PRODUCT TECHNICAL SHEET

### TECHNICAL DRAWING

N° 3 fori x Ø 6,3  
Particolare:  
piattello di fissaggio  
interno al rosone

### PHOTO



### PRODUCT FAMILY: SOFT SERIES

**CODE:** MAD-SF-B

**DESCRIPTION:** L-shape handbar drawn right hand with centre spacer. Electrical insulation. White colour. Thermosoft treatment.

### MECHANICAL PERFORMANCES:

Maximum load 150 kg.

### APPROVALS/CERTIFICATIONS:

TUV system certification UNI EN ISO 9001

EC declaration of conformity to the European Regulation for Medical Devices 745/2017.

Reference standards: UNI EN 12182

### PRODUCT FEATURES:

Ø 32 cold bent body with supplementary centre fixing stud and complete with mounting flanges and flange covers. The three items are held together by two grey nylon inserts.  
High friction coefficient to improve safety and comfort during use.  
The mounting flanges electrically insulate the product.  
It is not possible to apply the hanging seat mod. SDA.

### FIXING/INSTALLATION:

Wall mounting by n° 9 plugs.  
Plugs are not included in the package.  
Read the instruction sheet to choose the suitable plugs according to the type of wall.

### PRODUCT COMPOSITION:

N° 2 Pipes Ø32 x 15/10 - Fe P04 - Zinc-coated and painted RAL9016 - Thermosoft treatment  
N° 3 Mounting flanges - Nylon PA6 - RAL9016  
N° 3 FLange covers - Nylon PA6 - RAL9016 - Thermosoft treatment  
N° 3 Flange fixing screws - Steel - Tropicalized  
N° 2 Fixing bushings - Brass UNI EN 12164 CW614N  
N° 1 Support - Nylon PA6 - RAL9016

### MAINTENANCE:

Check the correct fastening of the accessories periodically.  
Perform a proper cleaning with water and soap, do not use abrasive or corrosive agents or coarse sponges.

### TOLERANCES:

GENERAL TOLERANCES - LENGTH (mm)  
0÷300 ±3 301÷600 ±4 601÷2000 ±5

### PACKAGING OF THE PRODUCT:

Individually wrapped in bubblewrap and packed in cardboard box 390 x 105 x 710 mm.  
Weight: 2,2 kg

The above mentioned information cannot be considered as binding. Thermomat Saniline S.r.l. reserves the right to make technical and aesthetic changes without any prior notice.

ST_PRODOTTO: MAD-SF-B	APPROVATO - 1 R.T.
REV.03 del 10/02/2022	