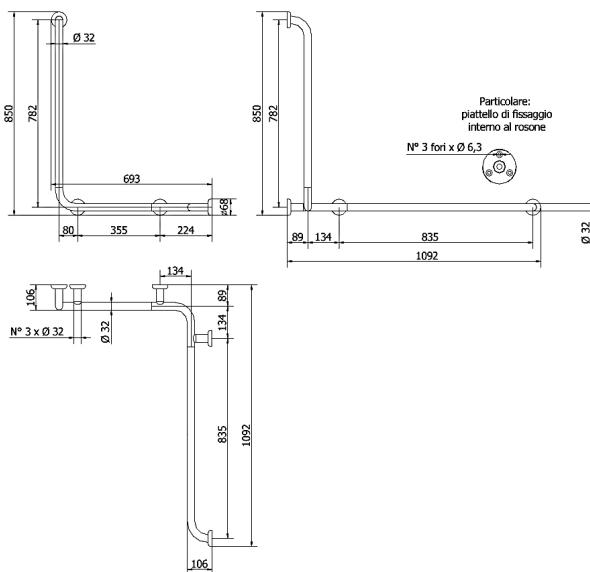
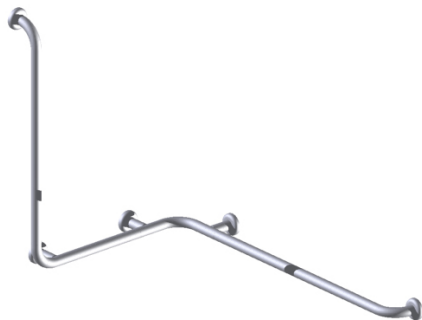


PRODUCT TECHNICAL SHEET

TECHNICAL DRAWING



PHOTO



PRODUCT FAMILY: HANDBARS AND HANDRAILS – PAINTED SERIES

CODE: 152-I

DESCRIPTION: Left-handed L-shape handrail 1070x670xH780 mm with n. 3 spacers.

Electrical insulation. White colour.

MECHANICAL PERFORMANCES:

Maximum load 150 kg.

APPROVALS/CERTIFICATIONS:

TUV system certification UNI EN ISO 9001:2008.

Declaration of Conformity according to European Medical Device Directive 93/42.

Reference regulations: Pr EN 1874; UNI EN 12182; UNI CEI EN ISO 14971; UNI EN 1041.

PRODUCT FEATURES:

Ø 32 cold bent body with supplementary fixing studs near the angle, complete with mounting flanges and flange covers.

The mounting flanges electrically insulate the product.

The article is partially assembled to reduce the overall dimensions during transport.

FIXING/INSTALLATION:

Finish assembling the product before mounting it on the wall.

Wall mounting by 15 plugs.

Plugs are not included in the package.

Read the instruction sheet to choose the suitable plugs according to the type of wall.

wall.

PRODUCT COMPOSITION:

N° 7 Pipes Ø32 x 15/10 Fe P04 Zinc-coated and painted RAL9016

N° 5 Mounting flanges Nylon PA6 RAL9016

N° 5 FLange covers Nylon PA6 RAL9016

N° 5 Flange fixing screws Steel Tropicalized

N° 2 Fixing bushings Brass UNI EN 12164 CW614N

N° 3 Supports Nylon PA6 RAL9016

N° 3 Inserts Nylon PA6 RAL9016

MAINTENANCE:

Check the correct fastening of the accessories periodically.

Perform a proper cleaning with water and soap, do not use abrasive or corrosive

agents or coarse sponges.

TOLERANCES:

GENERAL TOLERANCES - LENGTH (mm)

0÷300 ±3 301÷600 ±4 601÷2000 ±5

PACKAGING OF THE PRODUCT:

Individually wrapped in bubble wrap and packed in cardboard box 900 x 105 x 120

mm.

Weight: 3 kg

ST_PRODOTTO: 152-I	- 1	APPROVATO
REV.00 DEL 25/09/09		R.T.

THERMOMAT SANILINE SRL

Via M. Curie, 7 - 46034 Borgo Virgilio (Mantova) ITALY

Tel. + 39 0376 4473

www.thermomat.com - e-mail: info@thermomat.com

