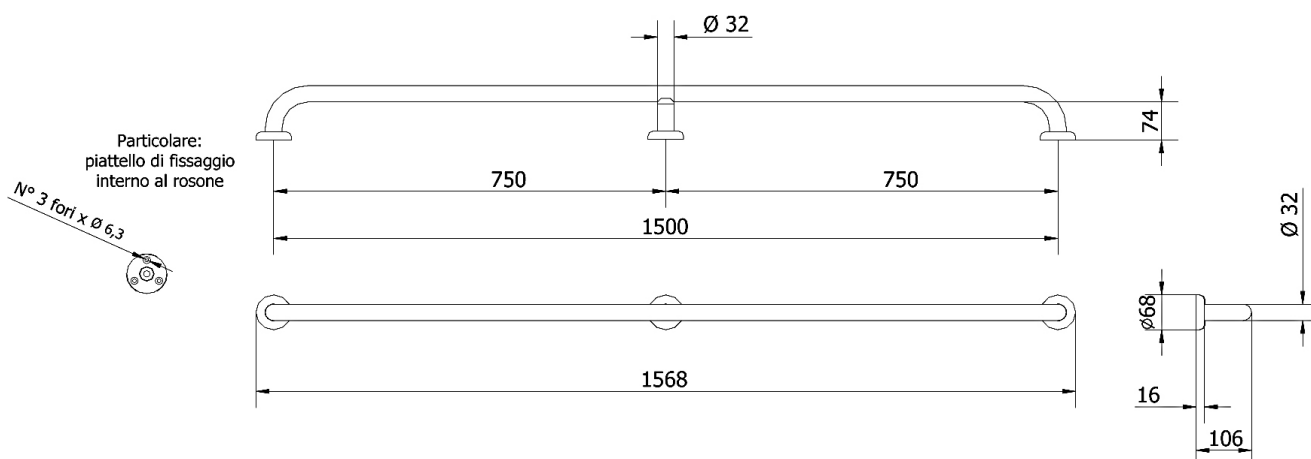


TECHNICAL DRAWING



PHOTO



PRODUCT FAMILY: HANDBARS AND HANDRAILS – PAINTED SERIES

CODE: M150-I

DESCRIPTION: Linear handbar 1500 mm with central spacer. Electrical insulation. White colour.

MECHANICAL PERFORMANCES:

Maximum load 150 kg.

APPROVALS/CERTIFICATIONS:

TUV system certification UNI EN ISO 9001

EC declaration of conformity to the European Regulation for Medical Devices 745/2017.

Reference standards: UNI EN 12182

PRODUCT FEATURES:

Ø 32 cold bent body, featuring a supplementary central fixing spacer and complete with mounting flanges and flange covers.

The mounting flanges electrically insulate the product.

It is possible to apply the hanging seat mod. SDA.

FIXING/INSTALLATION:

Wall mounting by 9 plugs.

Plugs are not included in the package.

Read the instruction sheet to choose the suitable plugs according to the type of wall.

PRODUCT COMPOSITION:

N° 2 Pipes Ø32 x 15/10 Fe P04 Zinc-coated and painted RAL9016

N° 3 Mounting flanges Nylon PA6 RAL9016

N° 3 FLange covers Nylon PA6 RAL9016

N° 3 Flange fixing screws Steel. Tropicalized

N° 2 Fixing bushings Brass UNI EN 12164 CW614N

N° 1 Support Nylon PA6 RAL9016

MAINTENANCE:

Check the correct fastening of the accessories periodically.

Perform a proper cleaning with water and soap, do not use abrasive or corrosive agents or coarse sponges.

TOLERANCES:

GENERAL TOLERANCES - LENGTH (mm)

0÷300 ±3 301÷600 ±4 601÷2000 ±5

PACKAGING OF THE PRODUCT:

Individually wrapped in bubblewrap and packed in cardboard box 135 x 105 x 1240

mm.

Weight: 1,7 kg

ST_PRODOTTO: M150-I	- 1	APPROVATO R.T.
REV.03 del 10/02/2022		

The above mentioned information cannot be considered as binding. Thermomat Saniline S.r.l. reserves the right to make technical and aesthetic changes without any prior notice.

Thermomat Saniline s.r.l.

Via M. Curie, 7 - 46034 Borgo Virgilio (Mantova) ITALY

Tel. + 39 0376 4473

www.thermomat.com - info@thermomat.com



Company with Quality Management System certified according to the standard UNI EN ISO 9001:2015