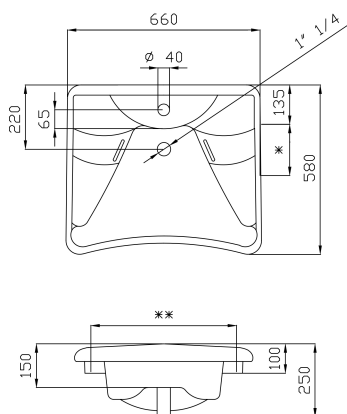


TECHNICAL DRAWING



PHOTO



PRODUCT FAMILY: SANITARYWARE
CODE: 400
DESCRIPTION: Washbasin. "Classic" series.

MECHANICAL PERFORMANCES:
 Compliant with 14688 regulation.

APPROVALS/CERTIFICATIONS:
 TUV system certification UNI EN ISO 9001.
 Declaration of Conformity CE according to European Council Directive 305/2011 for construction

products: new regulation for the bathroom.
 Reference regulations: UNI EN 31, UNI EN 14688

PRODUCT FEATURES:

400: Ergonomic washbasin with elbow rests and concave front edge to facilitate wheelchair users. Wall mount by means of fixed brackets. Manual or pneumatic recline mechanism.

FIXING/INSTALLATION:

Washbasin which is not possible to fix to the wall directly, it is necessary a system of fixation; for example: fix brackets art. 401, recline pneumatic mechanism art. 403; recline manual mechanism art. 405.
 For the fixation to the wall of the brackets or the mechanisms used fasteners and plugs considering the type of wall.
 Interaxle of fixation of the brackets and the mechanism:
 * : 175 mm
 ** : 530 mm

MAINTENANCE:

Check the correct fastening of the washbasin periodically.

PRODUCT COMPOSITION:

Washbasin - Vitreous China - Enameled

TOLERANCES:

GENERAL TOLERANCES
 ±5% on all dimensions

PACKAGING OF THE PRODUCT:

Packed in cardboard box 710 x 220 x 615 mm. Packed on pallet in case of purchase of multiple units.
 Weight: 18 kg

The above mentioned information cannot be considered as binding. Thermomat Saniline S.r.l. reserves the right to make technical and aesthetic changes without any prior notice.

ST_PRODOTTO: 400	- 1	APPROVATO R.T.
REV.03 DEL 07/07/2021		