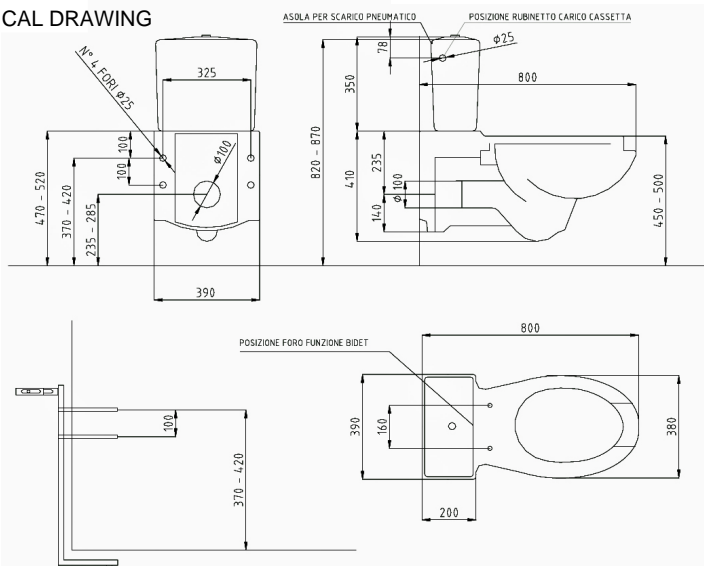


PRODUCT TECHNICAL SHEET

TECHNICAL DRAWING



| 470 | | |
|---------------------------------------|----------------------------|---|
| A pavimento | NO | |
| Sospeso | SI | |
| Monoblocco | SI | |
| Scarico | A parete | |
| Ingrandi (Lunghezza x Larghezza) (mm) | 818 x 390 | |
| Altezza (mm) | --- | Per disabili fissare con seduta a 451-510 mm dal piano di calpestio |
| Apertura frontale | SI | |
| Ø carico (mm) | 55 | |
| Ø scarico (mm) | 100 | |
| altezza scarico | 235 - 285 | |
| Carico cassetta | Dall'alto | |
| Funzione bidet | Disponibile nel Mod. L78-B | Posteriore centrale |
| Interasse fori fissaggio sedile | 160 | |
| Sedile | Art. 448 Art. 445 | Con apertura frontale e coperchio Con apertura frontale, senza coperchio |
| Staffa per fissaggio a muro | Art. 471 | |

PHOTO



PRODUCT FAMILY: SANITARYWARE

CODE: 470

DESCRIPTION: Close coupled wall hung toilet with elongated bowl, complete with cistern.

PERFORMANCES:

It complies with regulation EN 997:2003. Flush volume 6 lt.

CERTIFICATIONS:

TUV system certification UNI EN ISO 9001:2008.

Declaration of Conformity according to European Council Directive 89/106/CEE for construction

products as regards sanitary appliances.

Reference regulations: EN 997:2003.

PRODUCT FEATURES:

Depth: 800 mm. Vertical flush water supply. Complete with cistern (battery and float valve not included); water can be supplied from both the right- and left-hand side.

The item comes with white covering caps in the supply holes and a chrome-plated covering cap in the flush bottom hole.

It is possible to install both mechanical or pneumatic buttons. Wall mount by means of brackets. Open front.

FIXING (INSTALLATION):

Use concealed frame, art. 471.

To ease the use by disabled people or with reduced motor skills, keep the seat

height at 45-50 cm from the floor level, then follow the instructions provided for by

the relevant regulations.

PRODUCT COMPOSITION:

N° 1 toilet - Vitreous China - Enameled

N° 1 Toilet cistern (float valve and battery not included) - Ceramic - Enameled

Accessories not included:

Toilet seat - Wood, Polyester

Brackets - Fe 360, metal sheet - Zinc-coated iron

MAINTENANCE:

Check the correct fastening of the toilet periodically.

Clean with water and soap or other suitable products, do not use abrasive or

corrosive agents. Dry with a soft cloth.

TOLERANCE:

GENERAL TOLERANCES

±5% on all dimensions

PRODUCT PACKAGING:

Packed in cardboard box 640 x 450 x 915 mm. Packed on pallet in case of purchase

of multiple units.

Weight: 42 kg (27,5 kg wc, 15 kg cistern)

| | | |
|---------------------|-----|-------------------|
| ST_PRODOTTO: 470 | - 1 | APPROVATO R.T. |
| REV.02 DEL 20/12/19 | | |

The above mentioned information cannot be considered as binding. Thermomat Saniline S.r.l. reserves the right to make technical and aesthetic changes without any prior notice.

Thermomat Saniline s.r.l.

Via M. Curie, 7 - 46034 Borgo Virgilio (Mantova) ITALY

Tel. + 39 0376 4473

www.thermomat.com - info@thermomat.com



Company with Quality Management System certified according to the standard UNI EN ISO 9001:2015