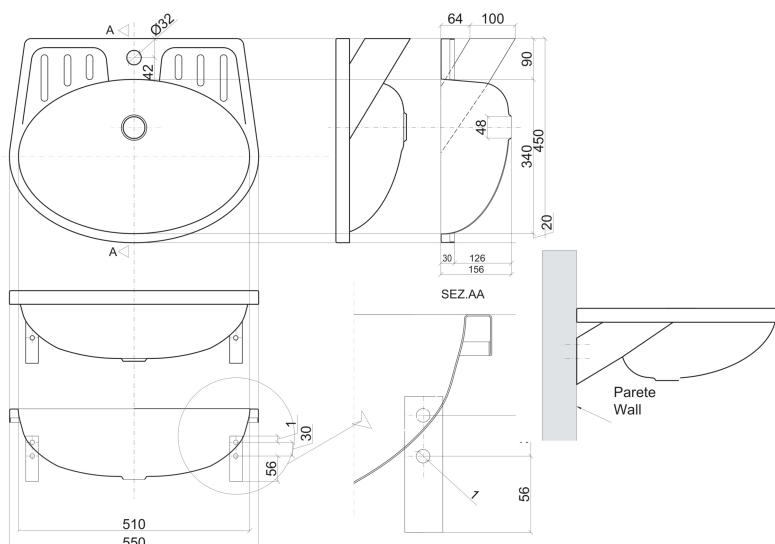


PRODUCT TECHNICAL SHEET

TECHNICAL DRAWING



PHOTO



PRODUCT FAMILY: STAINLESS STEEL SANITARYWARE

CODE: 2010

DESCRIPTION:

Shell washbasin.

CERTIFICATIONS:

TUV certification UNI EN ISO 9001:2008.

PRODUCT FEATURES:

complete with DRAIN CONNECTION. The brackets are welded to the washbasin. Plugs for the wall fitting not included. Made of stainless steel AISI 304 completely satin finish. The outer borders are folded inside to avoid any possible injury against the edge of the plate sheet. Suitable for professional (hospitals, manufacturing or food processing, etc.), for environments where maximum strength is required against possible vandalism and greater ease of use, riskful environments (prisons, protected institutions, etc.) high traffic environments (railway stations, airports, undergrounds etc.) and wherever there is a need to combine practicality, durability and ease of cleaning. It is composed by a corrugated white tube L = 320 mm, an insert for overflow hole with the visible part in chromed ABS, a chrome ring, 2 gaskets, an adapter body frame.

Optional: cover for syphon art.2018.

ST_PRODOTTO: 2010

APPROVATO
- 1
R.T.

REV.01 DEL 09/11/2020

The above mentioned information cannot be considered as binding. Thermomat Saniline S.r.l. reserves the right to make technical and aesthetic changes without any prior notice.

Thermomat Saniline s.r.l.

Via M. Curie, 7 - 46034 Borgo Virgilio (Mantova) ITALY

Tel. + 39 0376 4473

www.thermomat.com - info@thermomat.com



Company with Quality Management System certified according to the standard UNI EN ISO 9001:2015

MOUNTING (INSTALLATION): Attach to the wall using appropriate plugs (not included). Choose the appropriate plugs depending on the type of wall.	MAINTENANCE: Check for proper mounting of the washbasin. Clean with soap and water or other suitable products, avoid aggressive, corrosive and abrasive. Do not use products containing chlorine, hydrochloric acid or its derivatives, other acids or bases, even diluted. Dry with a soft cloth.
PRODUCT LISTING: N° 1 shell washbasin complete with brackets Stainless steel sheet plate AISI 304, thickness 10/10 (washbasin), thickness 15/10 (brackets) Satin	TOLLERANZE:
	PACKAGE: packed in cardboard box 465 x 486 x 170 mm. Weight: 4,2 kg

ST_PRODOTTO: 2010	APPROVATO - 1 R.T.
REV.01 DEL 09/11/2020	

The above mentioned information cannot be considered as binding. Thermomat Saniline S.r.l. reserves the right to make technical and aesthetic changes without any prior notice.

Thermomat Saniline s.r.l.

Via M. Curie, 7 - 46034 Borgo Virgilio (Mantova) ITALY

Tel. + 39 0376 4473

www.thermomat.com - info@thermomat.com



Company with Quality Management System certified according to the standard UNI EN ISO 9001:2015