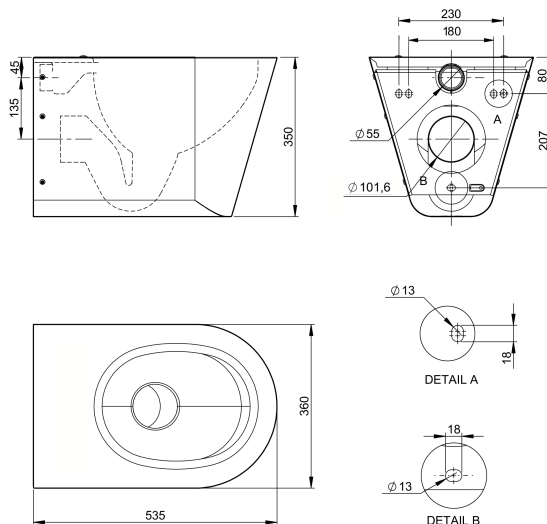


## PRODUCT TECHNICAL SHEET

### TECHNICAL DRAWING



### PHOTO



**PRODUCT FAMILY:** STAINLESS STEEL SANITARYWARE

**CODE:** 2054

**DESCRIPTION:**

Hanging WC

**CERTIFICATION:**

TUV certification UNI EN ISO 9001:2008.

Conforms to EN 997

### PRODUCT FEATURES:

Wall mounted WC made of stainless steel AISI 304, satined, thickness 1.5 mm. Wall drain, horizontal or vertical load, round washing on the entire perimeter of the bowl, vandal proof screws. It conforms to EN 997 for 6 liters of water discharge.  $\varnothing$  55 mm ,  $\varnothing$  101 mm drainage diameter. Suitable for professional or public environments (hospitals, manufacturing, or food processing, etc.), For environments where maximum strength is required against possible vandalism and greater ease of use, at-risk environments (prisons, protected institutions, etc.), for environments with high traffic (railway stations, airports, subways, etc.) and wherever there is a need to combine practicality, durability and ease of cleaning.

<b>FIXING/INSTALLATION:</b> Install it to the floor by suitable plugs according to the wall type.	<b>MAINTENANCE:</b> Clean with water and soap or other suitable products; avoid aggressive products, corrosive and abrasive. Do not use products containing chlorine, hydrochloric acid or its derivatives, other acids or bases, even diluted. Dry with a soft cloth.
<b>PRODUCT LISTING:</b> N° 1 Hanging WC Stainless steel plate AISI 304, thickness 15/10 Satin	<b>TOLLERANZE:</b>  <b>PACKAGING:</b> Package according to necessities Weight: 12 kg

The above mentioned information cannot be considered as binding.

reserves the right to make technical and aesthetic changes without any prior notice.

ST_PRODOTTO: 2054	APPROVATO - 1 R.T.
REV.00 DEL 05/11/2020	

Via M. Curie, 7 - 46034 Borgo Virgilio (Mantova) ITALY  
Tel. + 39 0376 4473  
www.thermomat.com - e-mail: info@thermomat.com

