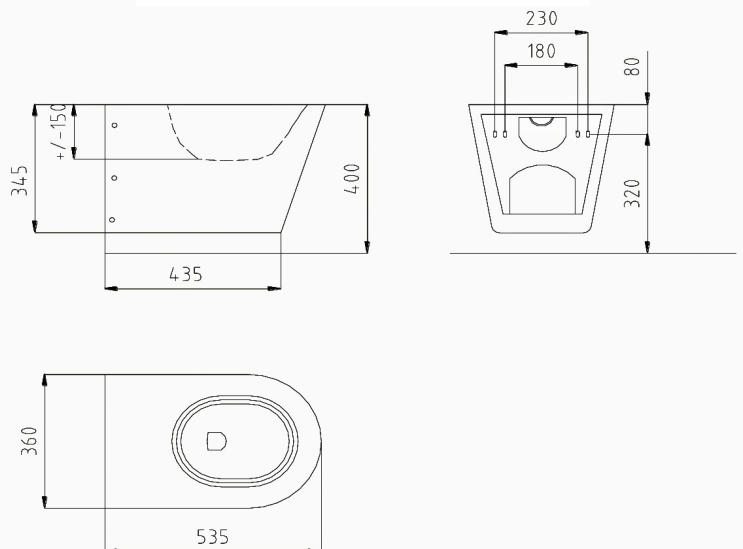


PRODUCT TECHNICAL SHEET

TECHNICAL DRAWING



PHOTO



PRODUCT FAMILY: STAINLESS STEEL SANITARYWARE
CODE: 2045
DESCRIPTION: Wall hung bidet

CERTIFICATIONS:
 TUV certification UNI EN ISO 9001:2008.
 EN 14528 compliant.

PRODUCT FEATURES:

Wall hung bidet. Made of brushed stainless steel AISI 304, thickness 1,5 mm. Suitable for professional or public environments (hospitals, manufacturing or food processing plants, etc.), for environments where the maximum resistance against possible vandalism and the highest ease of use are required, for riskful environments (prisons, protected institutions, etc.), for high traffic environments (railway stations, airports, subways, etc.) and wherever it is necessary to combine practicality, durability and ease of cleaning. 1"1/4 drain and waste trap included. Ø 35 mm hole for mixer on demand. Vandal resistant screws. EN 14528 compliant.

FIXING(INSTALLATION):

Fasten to the wall by means of appropriate plugs (not included). Choose plugs according to the type of floor.

MAINTENANCE:

Check periodically the proper installation of the product. Clean with soap and water or other suitable cleanin agents; avoid aggressive, corrosive and abrasive products. Do not use products containing chlorine, hydrochloric acid or its derivatives, other acids or bases, even if diluted. Dry with a soft cloth.

PRODUCT LISTING:

N° 1 Wall hung bidet - AISI 304 stainless steel plate, thickn. 15/10, brushed

PRODUCT PACKAGING:

Packed in cardboard box 600 x 400 x 450 mm
 Weight: 10,5 kg

ST_PRODOTTO: 2055	APPROVATO - 1 R.T.
REV.01 DEL 25/03/10	