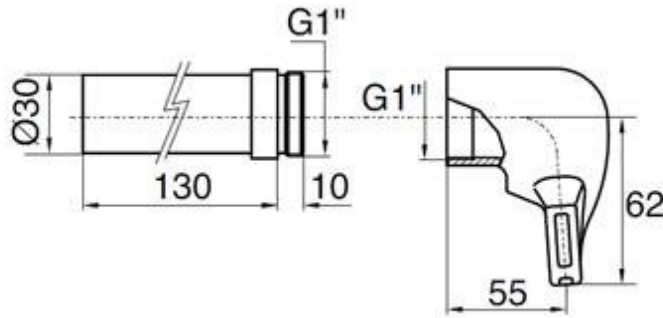


TECHNICAL DRAWING



PHOTO

non disponibile

PRODUCT FAMILY: STAINLESS STEEL SANITARYWARE

CODE: 2072

DESCRIPTION:

External watershed for art. 2070.

CERTIFICATIONS

TUV certification UNI EN ISO 9001:2008.

PRODUCT FEATURES:

External watershed for art.2070. In stainless steel AISI 304. Suitable for professional or public environments (hospitals, manufacturing or food processing, etc.) for environments where maximum strength is required against possible vandalism and greater ease of use, at-risk environments (prisons, protected institutions, etc.), for environments with high traffic (railway stations, airports, subways, etc.) and wherever there is a need to combine practicality, durability and ease of cleaning.

FIXING/INSTALLATION:

Connect the water inlet taking care to the tightening of the connection.

MAINTENANCE:

Check for the proper mounting of the product. Clean with soap and water or other suitable products, avoid aggressive, corrosive and abrasive. Do not use products containing chlorine, hydrochloric acid or its derivatives, other acids or bases, even diluted. Dry with a soft cloth.

PRODUCT LISTING:

N° 1 Watershed in stainless steel AISI 304

ST_PRODOTTO: 2072	APPROVATO -1 R.T.
REV.02 DEL 23/12/2020	

The above mentioned information cannot be considered as binding. Thermomat Saniline S.r.l. reserves the right to make technical and aesthetic changes without any prior notice.

Thermomat Saniline s.r.l.

Via M. Curie, 7 - 46034 Borgo Virgilio (Mantova) ITALY

Tel. + 39 0376 4473

www.thermomat.com - info@thermomat.com



Company with Quality Management System certified according to the standard UNI EN ISO 9001:2015