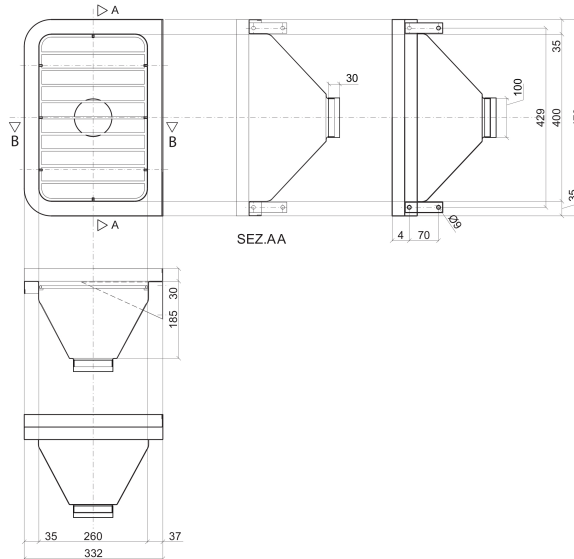


PRODUCT TECHNICAL SHEET

TECHNICAL DRAWING



PHOTO



PRODUCT MATERIAL

STAINLESS STEEL

APPROVALS:

TUV certification UNI EN ISO 9001:2008.

PRODUCT FEATURES:

Draining sink with grille.
Shelves are assembled to the body of the sink through welding.

400 x 260 grid resting on 8 pins.

Fixing to the wall using screws (not included).

Made of stainless steel AISI 304.

The outside borders are folded inside to avoid any possible injury against the edge of the item.

Suitable for professional or public environments (hospitals, food manufacturing or food processing food, etc.), which are required to have the maximum resistance against possible vandalism and maximum ease of use, at-risk environments (prisons, protected institutes, etc.), for environments with high traffic (railway stations, airports, subways, etc.) and wherever there is a need to put together pacticity, resistance and ease of cleaning.

MOUNTING (INSTALLATION):

Fix to the wall using appropriate plugs (not included).

Choose the appropriate plugs depending on the type of masonry.

MAINTENANCE:

Check the proper mounting of the product.

Clean with soap and water or other suitable products, avoid aggressive, corrosive and abrasive.

Do not use products containing chlorine, hydrochloric acid or its derivatives, other acids or bases, even diluted.

Dry with a soft cloth.

PRODOTTO: Grid. Stainless steel plate AISI 304, thickness 10/10 (sink), sp 15/10 (shelves)

TOLLERANZE:

PACKAGING:

Packed in cardboard box 450 x 450 x 425 mm.
Weight: 5 kg

The above mentioned information cannot be considered as binding.

reserves the right to make technical and aesthetic changes without any prior notice.

ST_PRODOTTO: 2030	APPROVATO - 1 R.T.
REV.00 DEL 10/11/2020	

ISO 9001 Quality Management System certified by TÜV Italia Srl since 2005

Via M. Curie, 7 - 46034 Borgo Virgilio (Mantova) ITALY

Tel. + 39 0376 4473

www.thermomat.com - info@thermomat.com