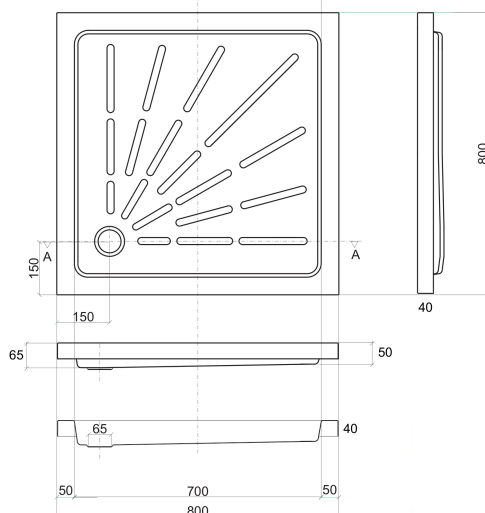


PRODUCT TECHNICAL SHEET

TECHNICAL DRAWING



PHOTO



PRODUCT FAMILY: STAINLESS STEEL SANITARYWARE
CODE: 2060
DESCRIPTION: Shower tray 800 x 800 mm.

CERTIFICATIONS:

TUV certification UNI EN ISO 9001

PRODUCT FEATURES:

AISI 304 stainless steel shower tray, completely brushed. Embossed surface to reduce the risk of slipping. Drain not included (Art. 2066). Dimensions: 800 x 800 mm. Internal rim bent inward. Suitable for professional or public environments (hospitals, manufacturing or food processing plants, etc.), for environments where the maximum resistance against possible vandalism and the highest ease of use are required, for riskful environments (prisons, protected institutions, etc.), for high traffic environments (railway stations, airports, subways, etc.) and wherever it is necessary to combine practicality, durability and ease of cleaning.

FIXING(INSTALLATION):

Connect the drain (art. 2066), not included, paying attention that it is watertight. Fasten the shower tray to the floor and seal its perimeter.

MAINTENANCE:

Check periodically the proper installation of the product. Clean with soap and water or other suitable cleaning agents; avoid aggressive, corrosive and abrasive products. Do not use products containing chlorine, hydrochloric acid or its derivatives, other acids or bases, even if diluted. Dry with a soft cloth.

PRODUCT LISTING:

N° 1 Shower tray - AISI 304 stainless steel plate - thickn. 13/10 - Brushed

PRODUCT PACKAGING:

Packed in cardboard box 820 x 910 x 55 mm.
 Weight: 7 kg

ST_PRODOTTO: 2060	APPROVATO - 1 R.T.
REV.01 DEL 09/11/2020	

The above mentioned information cannot be considered as binding. Thermomat Saniline S.r.l. reserves the right to make technical and aesthetic changes without any prior notice.

Thermomat Saniline s.r.l.

Via M. Curie, 7 - 46034 Borgo Virgilio (Mantova) ITALY

Tel. + 39 0376 4473

www.thermomat.com - info@thermomat.com



Company with Quality Management System certified according to the standard UNI EN ISO 9001:2015