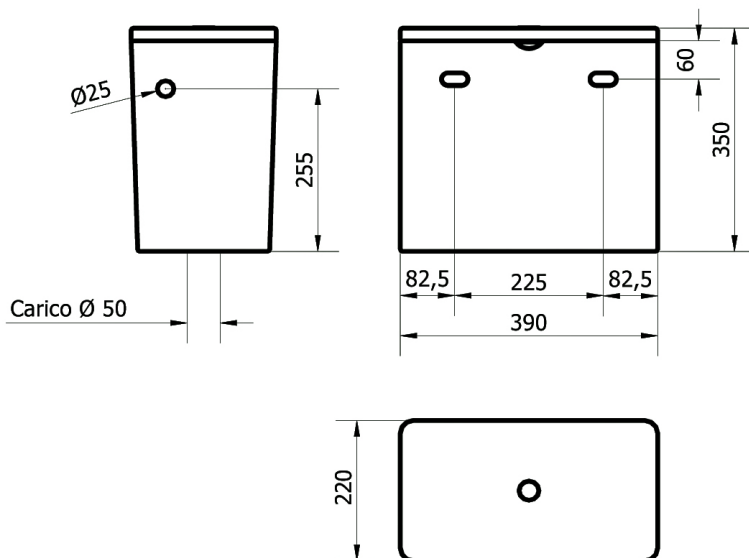


PRODUCT TECHNICAL SHEET

TECHNICAL DRAWING



PHOTO



PRODUCT FAMILY: ACCESSORIES
CODE: 555
DESCRIPTION: Ceramic toilet cistern

PERFORMANCES:
 Compliant with EN 997:2003 regulation.

CERTIFICATIONS:
 TUV system certification UNI EN ISO 9001:2008.

PRODUCT FEATURES:

Ceramic toilet cistern for low level wall installation; flush pipe, clamp and nut included. Wall mount by means of two holes. It can be used with pneumatic batteries: back slot for air pipe. Use a tap for cistern supply from above with 3/8" connection (Art. 552). The tap can be positioned on the right- or left-hand side of the cistern.

N.B.: upon order, please specify whether the the cistern lid should be prearranged for the battery push button.

FIXING (INSTALLATION):

N° 2 holes for wall mount

MAINTENANCE:

Check the correct fastening of the cistern periodically.
 Perform a proper cleaning with water and soap, do not use abrasive or corrosive agents or coarse sponges.

PRODUCT COMPOSITION:

N° 1 Toilet cistern with lid - Ceramic - Enameled
 N° 1 Cover for lid - ABS - Chrome-plated
 N° 2 Lateral caps for cistern - Plastic

PRODUCT PACKAGING:

Packed according to needs.
 Weight: 10 kg

ST_PRODOTTO: 555	APPROVATO - 1
REV.00 DEL 25/09/09	R.T.

