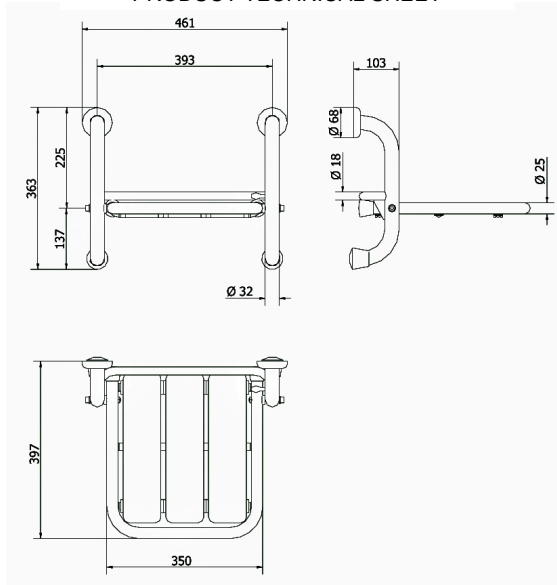


PRODUCT TECHNICAL SHEET

TECHNICAL DRAWING



PHOTO



PRODUCT FAMILY: SHOWER AND BATHTUB SEATS

CODE: SRD

DESCRIPTION: Wall mounted shower folding seat. Electrical insulation, white colour.

MECHANICAL PERFORMANCE:

Maximum load 150 kg.

CERTIFICATIONS:

TUV system certification UNI EN ISO 9001:2008.

Declaration of Conformity according to European Medical Device Directive 93/42.

Reference regulations: Pr EN 1874; UNI EN 12182; UNI CEI EN ISO 14971; UNI EN 1041.

PRODUCT FEATURES:

Wall mounted shower folding seat. Consisting of supporting stainless steel pipe AISI 304, TIG welded with high-alloy stainless steels. Coated with thermosetting polyurethane powders (80±100 micron). Seat with copolymer slats. The mounting flanges electrically insulate the product.

FIXING (INSTALLATION):

Wall mounting by n° 6 plugs.
Plugs are not included in the package.
Choose the suitable plugs according to the type of wall.

MAINTENANCE:

Check the correct fastening of the accessories periodically.
Perform a proper cleaning with water and soap, do not use abrasive or corrosive agents or coarse sponges.

PRODUCT COMPOSITION:

N° 2 Pipes Ø32 x 15/10 - Stainless steel AISI 304 - Painted RAL9016
N° 1 Pipe Ø25 x 20/10 - Stainless steel AISI 304 - Painted RAL9016
N° 1 Rod Ø 8 mm - Stainless steel AISI 304 - Painted RAL9016
N° 1 Pipe Ø 18 x 1,5 - Stainless steel AISI 304 - Painted RAL9016
N° 2 Metal sheets 40/10 - Stainless steel AISI 304 - Painted RAL9016
N° 3 Seat slats - Nylon PA6 - non cytotoxic - Printed RAL 9016
N° 5 End caps - PVC
N° 4 Washers/spacers - Nylon PA6
N° 2 Mounting flanges + flange covers - Nylon PA6 - Printed RAL 9016
N° 6 Screws

TOLERANCE:

GENERAL TOLERANCES - LENGTH (mm)
0÷300 ±3 301÷600 ±4 601÷2000 ±5

PRODUCT PACKAGING:

Wrapped in PE bag and packed in cardboard box 445 x 120 x 530 mm.
Weight: 4,2 kg

ST_PRODOTTO: SRD	APPROVATO R.T.
REV.02 DEL 15/05/2020	- 1